

41
✓

(12) UK Patent Application (19) GB (11) 2 286 751 (13) A

(43) Date of A Publication 23.08.1995

(21) Application No 9503103.5

(22) Date of Filing 17.02.1995

(30) Priority Data

(31) 06020161 (32) 17.02.1994 (33) JP

(71) Applicant(s)

Hitachi, Ltd.

(Incorporated in Japan)

6 Kanda-Surugadai 4-chome, Chiyoda-ku, Tokyo,
Japan

(72) Inventor(s)

Tadayuki Kamisaka
Satoshi Ikehama
Shigehiro Tomita

(74) Agent and/or Address for Service

Mewburn Ellis
York House, 23 Kingsway, LONDON, WC2B 6HP,
United Kingdom

(51) INT CL⁶

H04H 1/00, H04L 12/18, H04N 7/167 7/173

(52) UK CL (Edition N)

H4P PPEB PPG
H4F FCW FD13A FD27A1 FD27R1 FD27R9 FD27T1
FD30K FD42E FD53M
H4R RCST

(56) Documents Cited

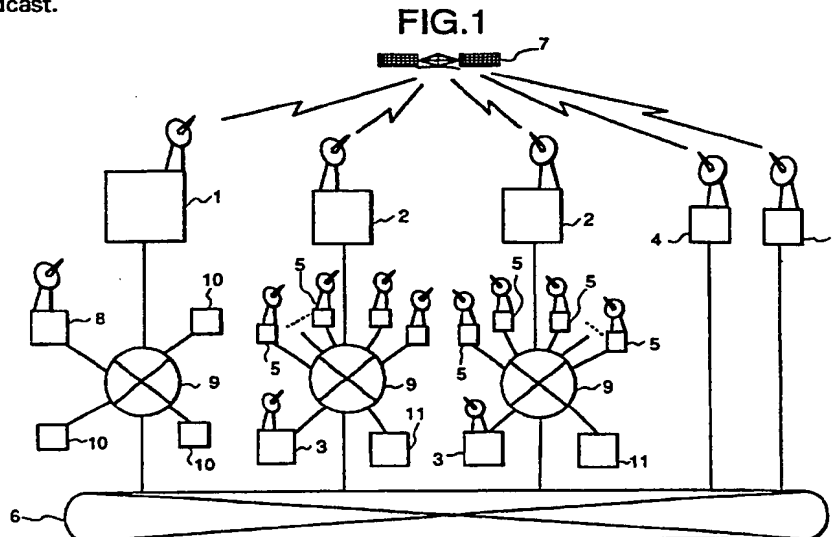
EP 0621718 A1 EP 0537756 A2 WO 93/15466 A1
US 4868866 A

(58) Field of Search

UK CL (Edition N) H4P PPEB PPG PPS, H4R RCSS
RCST RCT
INT CL⁶ H04H 1/00, H04L 12/18, H04N 7/167 7/173
Online: WPI

(54) Newspaper broadcasting system

(57) In order to dispatch a newspaper (which may contain still or moving pictures or voice) to subscriber households through satellite communication, a newspaper edit/dispatch system (1) in the head office of a newspaper publishing company electronically creates and transmits data to the branch offices through a communication satellite (7). In a newspaper edit/broadcast system (2) at each branch office, the received newspaper data and local news are combined and edited, then encrypted, and the sort of newspaper and the date added to the encrypted newspaper data which is broadcast via satellite (7). In each of home terminals (5) installed in the individual subscriber households, or at newsdealers (3) and (4) the newspaper data are received and decrypted by a key obtained beforehand, and the newspaper data which agree with preset subscription contents are temporarily stored, e.g. on disc. Thereafter, the stored newspaper data are read and displayed e.g. on a portable terminal in compliance with a subscriber's request, or sold by newsdealers. Error correction may be provided. Spectacle type displays and dictionary embodiments are described. Urgent alarms may be broadcast.



GB 2 286 751 A

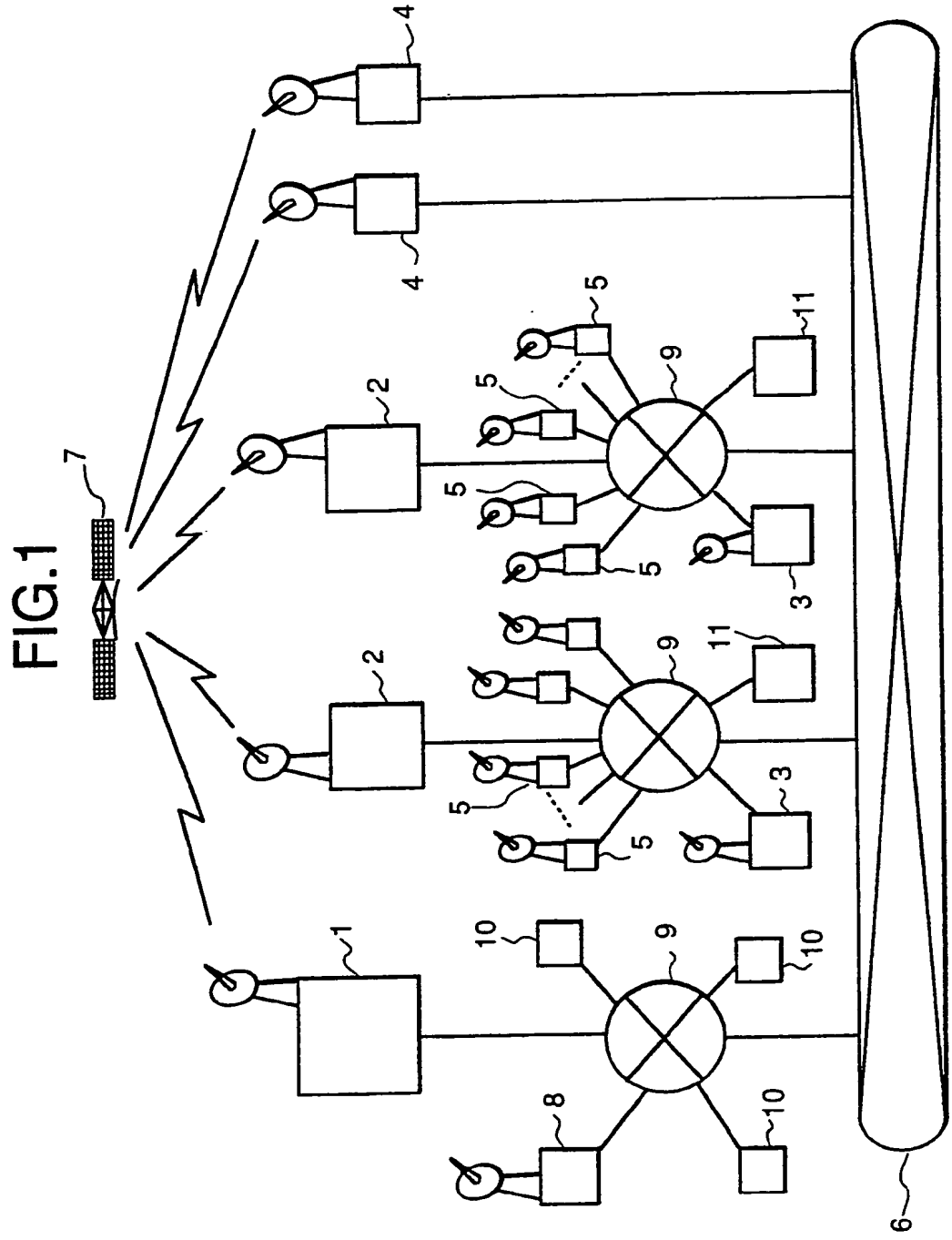


FIG.2

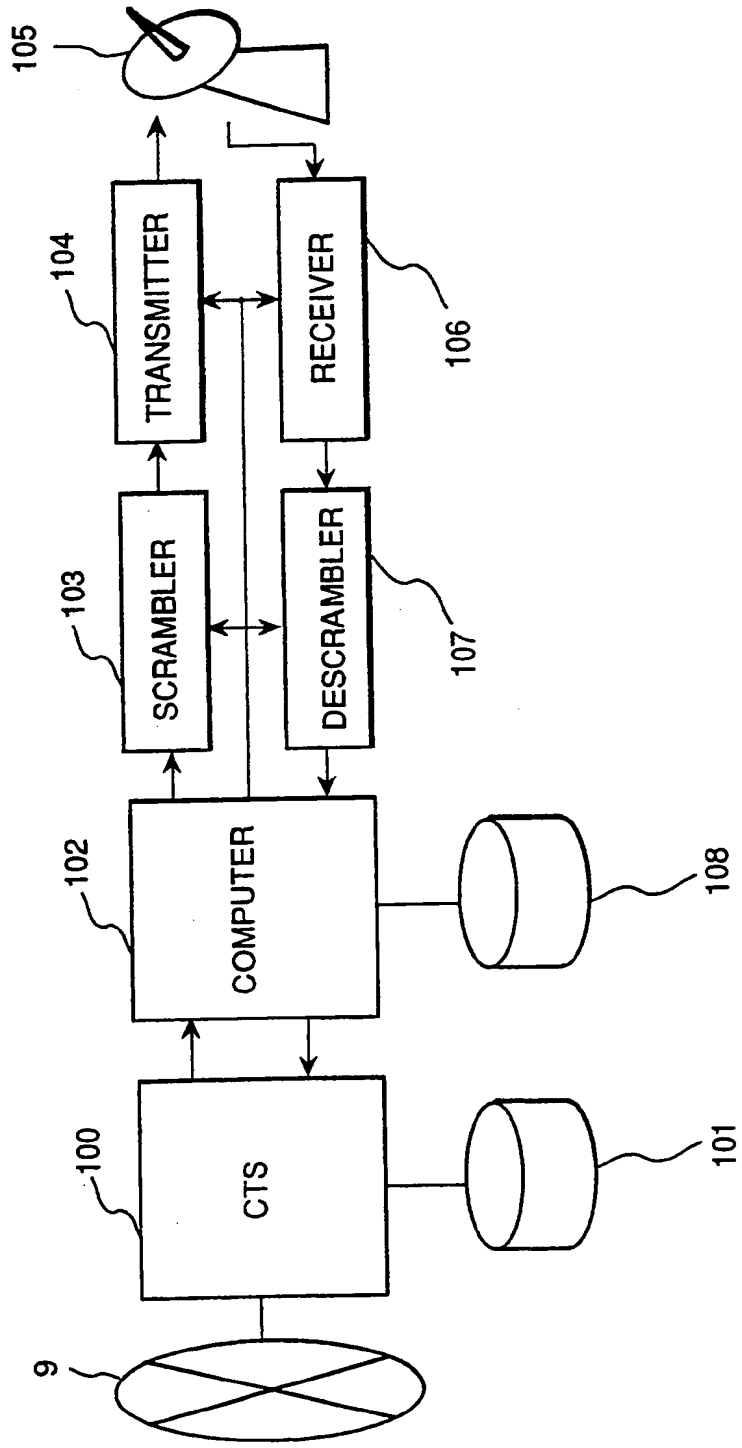


FIG.3

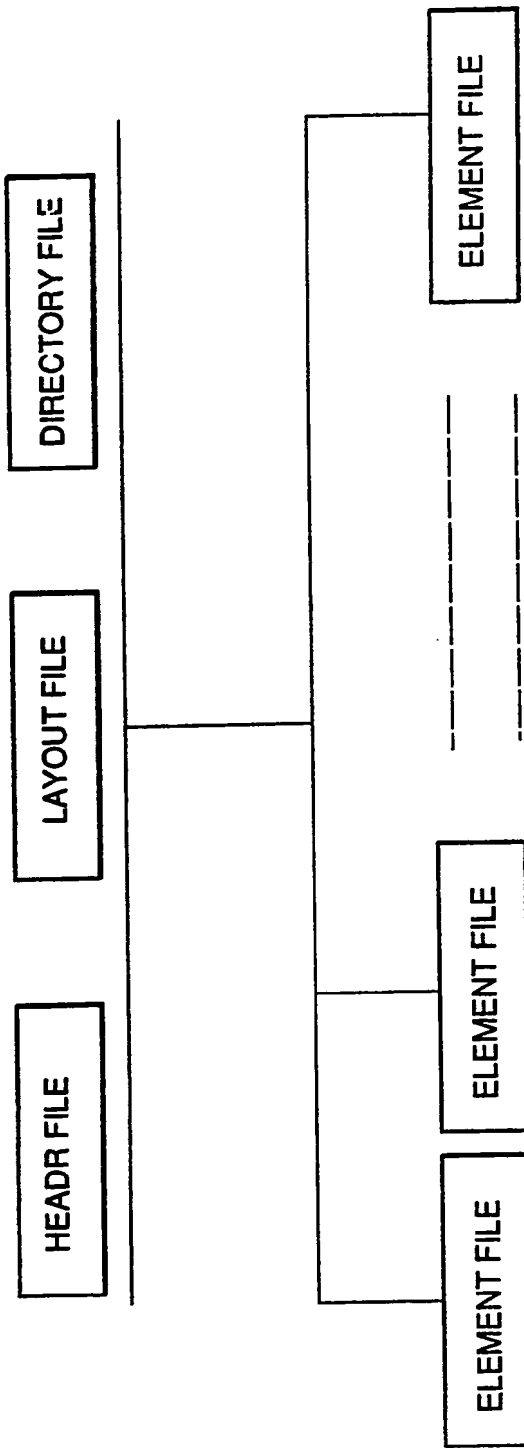


FIG.4A

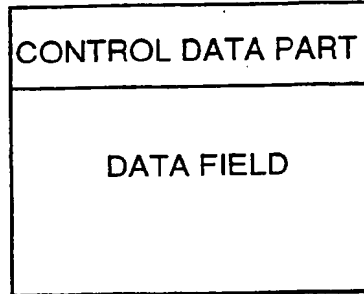


FIG.4B

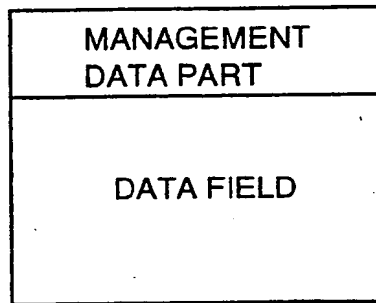


FIG.4C

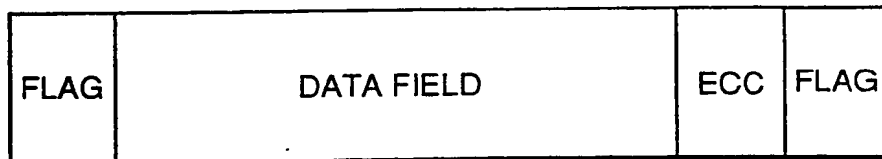


FIG.5

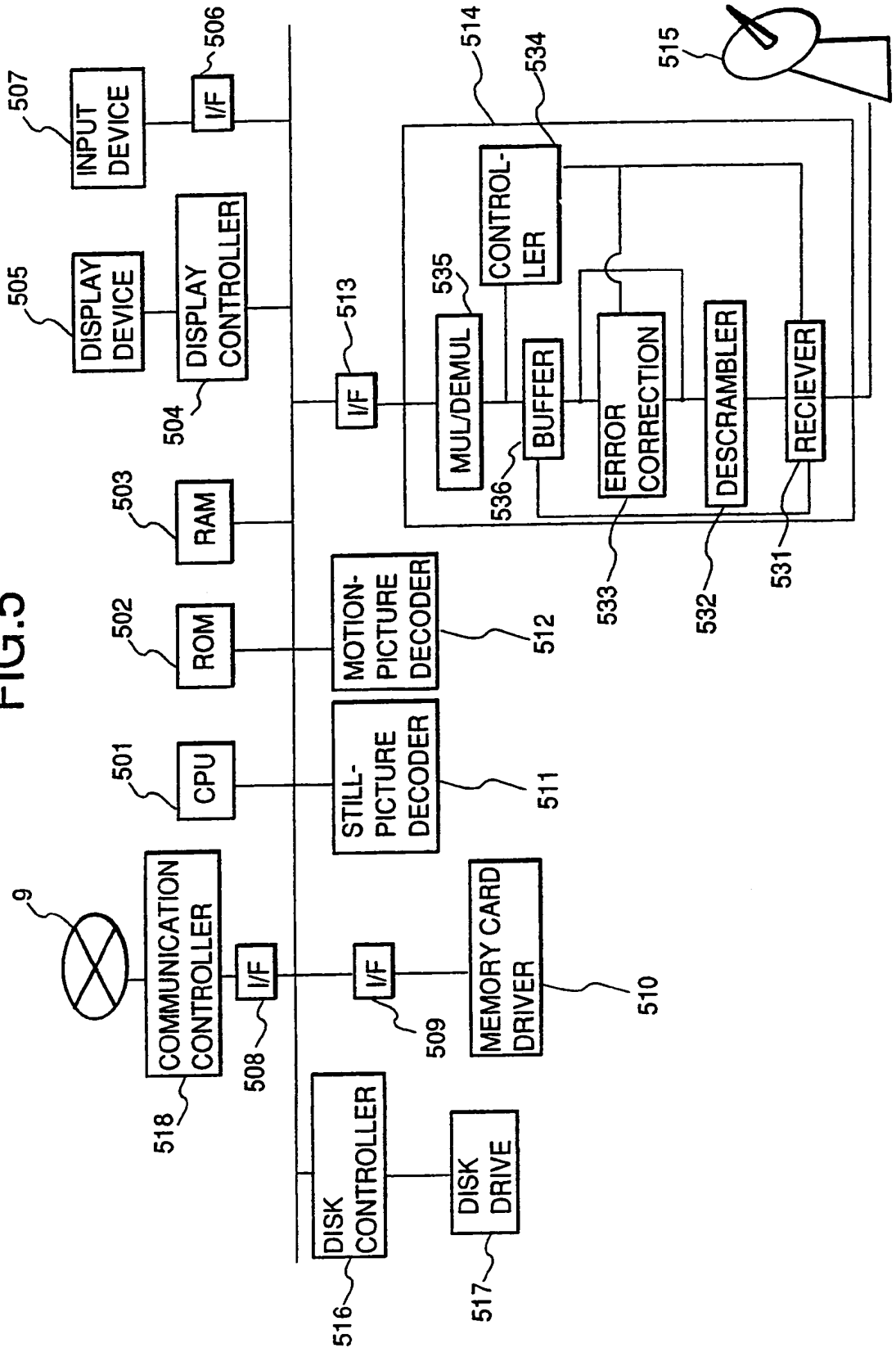


FIG.6

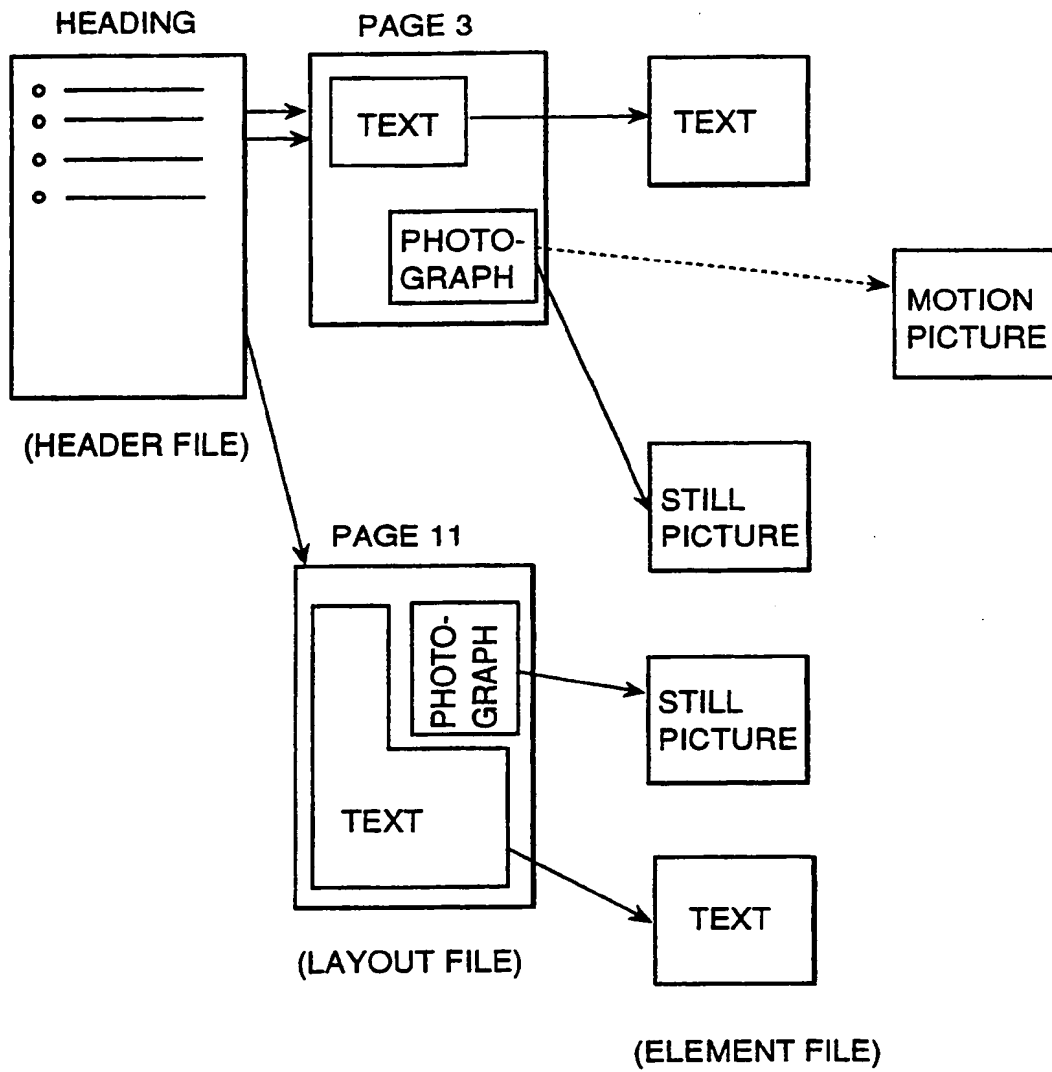


FIG. 7

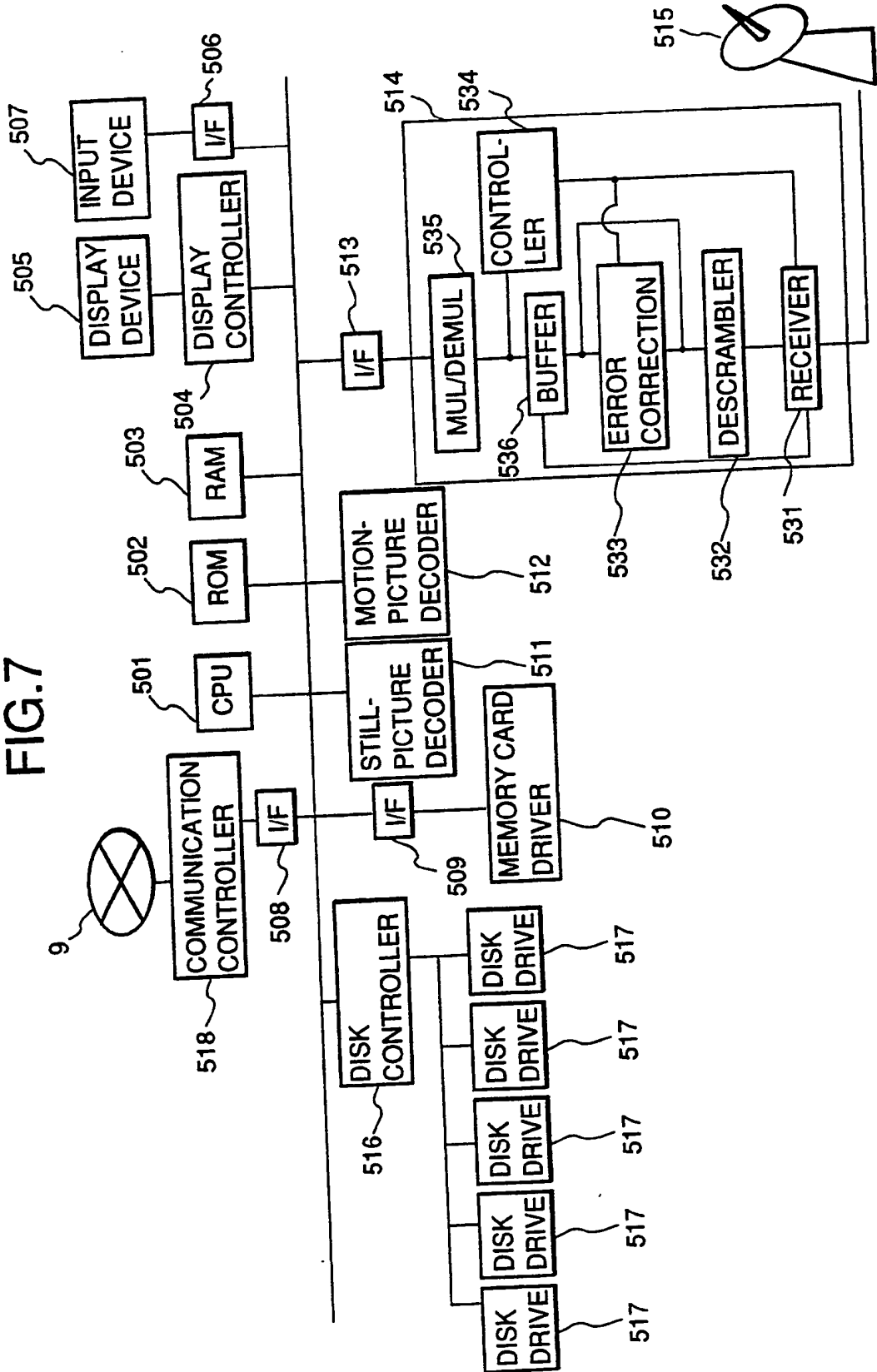


FIG.8

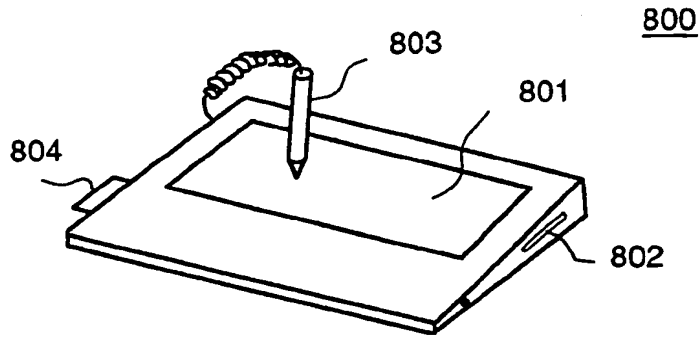


FIG.9

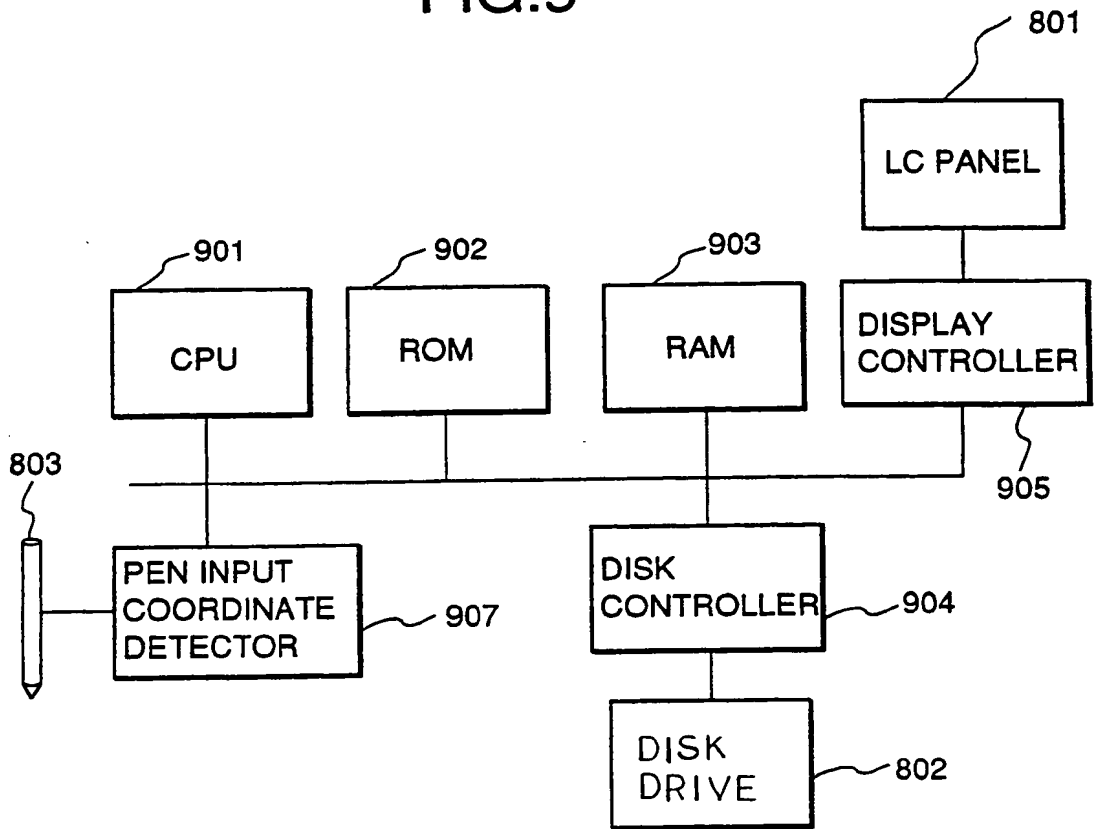


FIG.10B

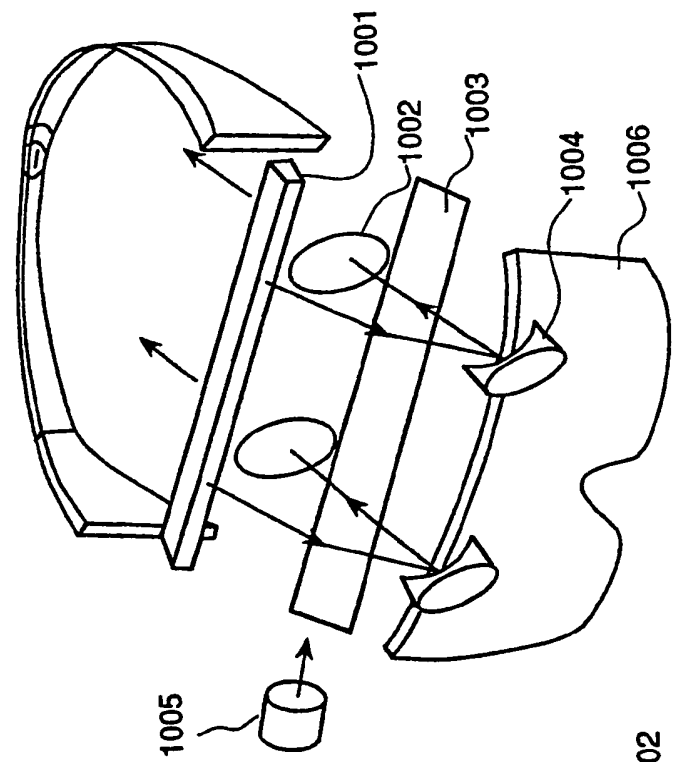


FIG.10A

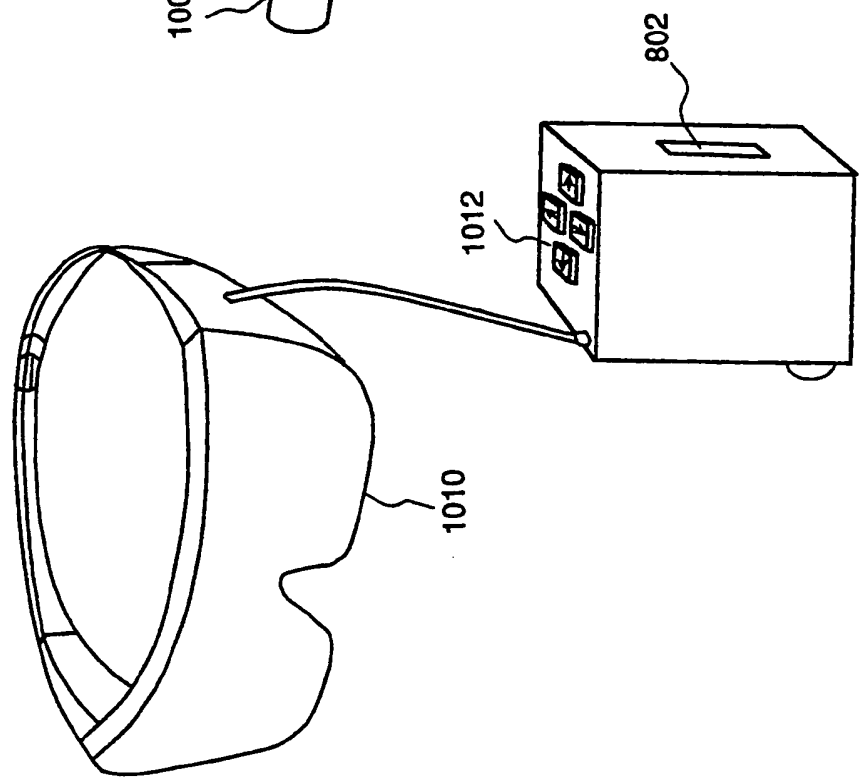


FIG.11

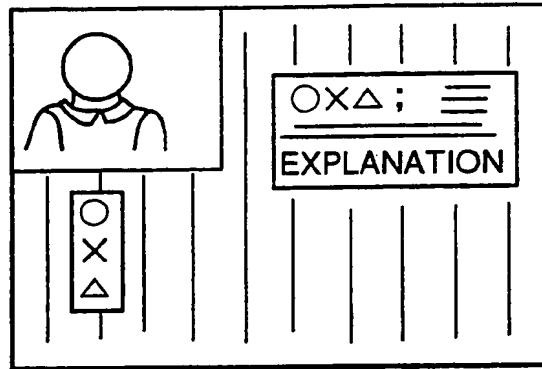


FIG.12

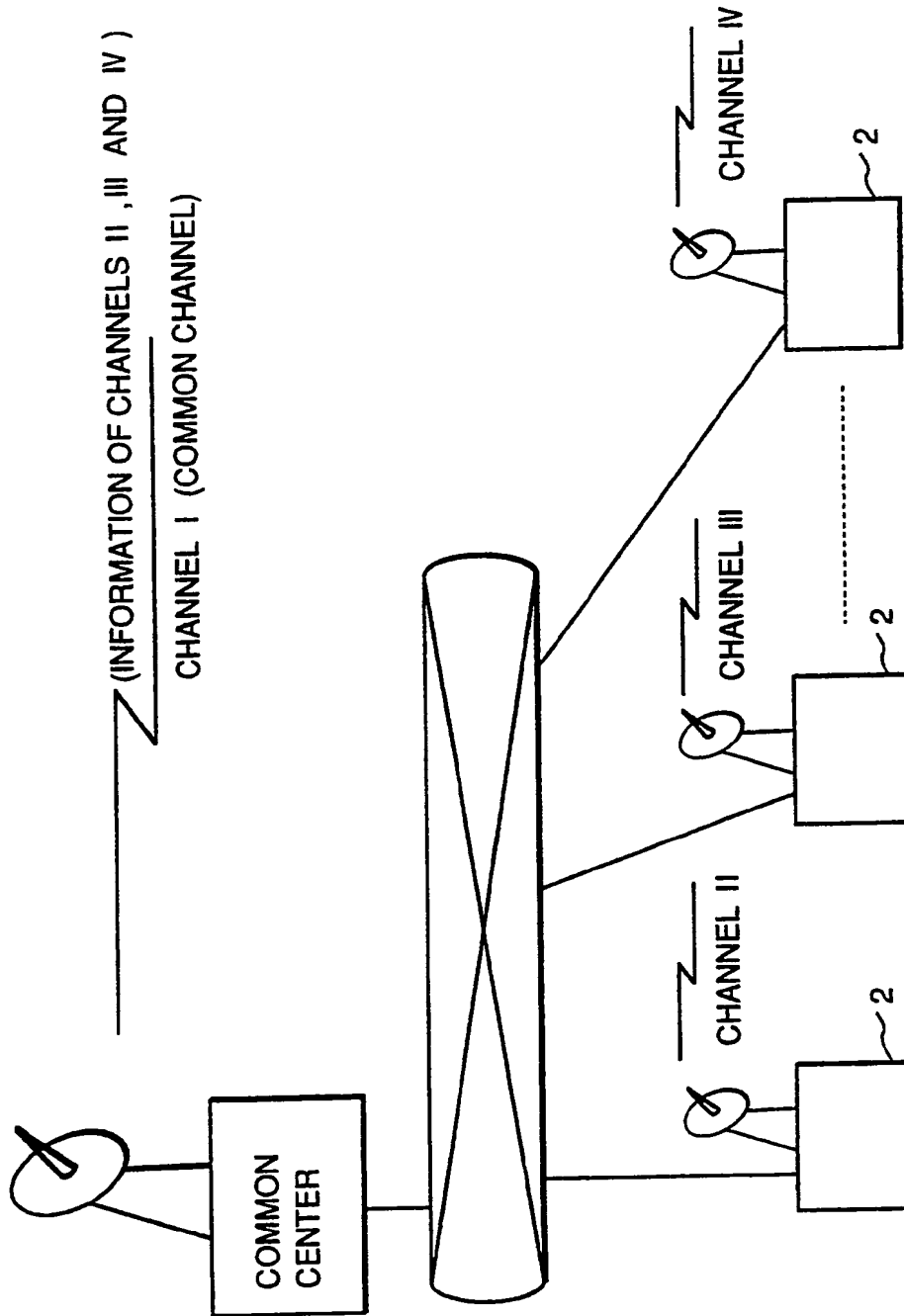


FIG.13

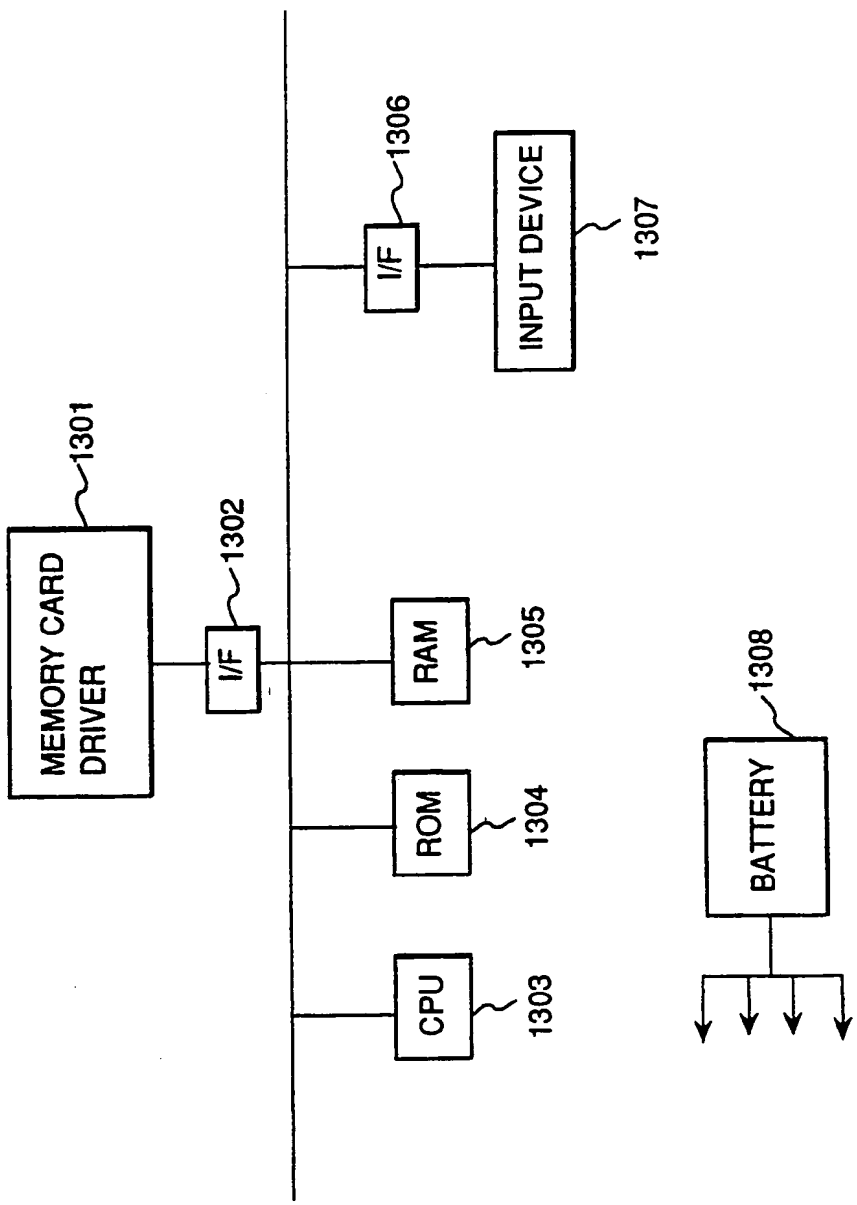


FIG.14A

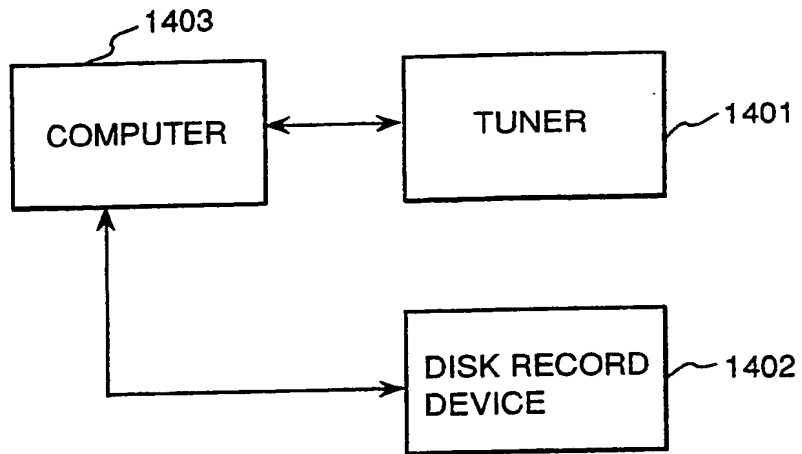
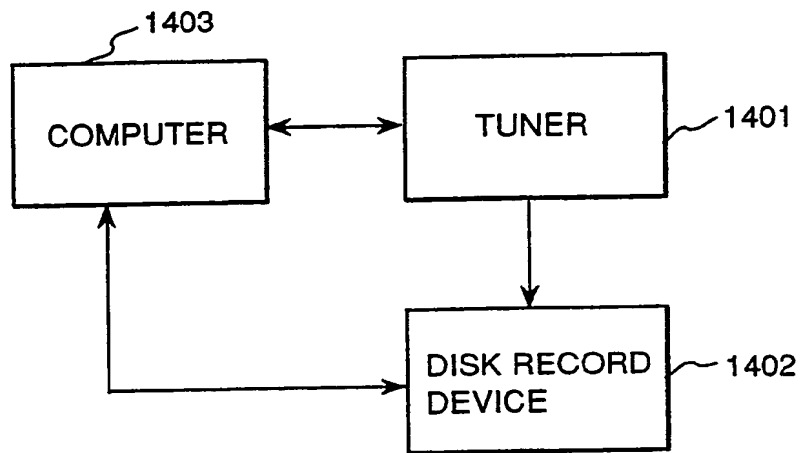


FIG.14B



INFORMATION DISPATCHING SYSTEM

5 The present invention relates to an information
dispatching system in which various kinds of information,
such as are contained in newspapers, having heretofore been
recorded on paper or similar media and circulated through
distribution routes based on manpower, are dispatched to
10 individual homes by radio broadcasting.

At present, newspapers, for example, are edited and
printed as newspaper pages by a newspaper publishing
company and are delivered to individual homes in the
morning and evening by delivery persons.

15 Then, each newspaper subscriber reads the delivered
newspaper pages at their home, or in a train or the like
while commuting.

Regarding the example of the newspaper, however, the
present-day system of printing news etc. on paper sheets
20 and delivering the printed pages to individual homes
manually is ineffective from the viewpoints of distribution
cost, the cost of the paper, the immediate communicability
of the information, the efficient utilization of pulp
resources, etc.

25 Moreover, for each individual subscriber, the
newspaper cannot always be said to be sufficiently easy to

utilize for such reasons that the problem of disposing of the read newspaper exists, and that the size of each newspaper page is too large for to enable the newspaper to be stored or read on the train.

5 Mentioned as applications relevant to the art are Japanese Patent Application Publication Nos.5-115067, 5-260235, 63-131674, 5-143618, 5-89363, 5-122173, and 4-245818.

10

 An aim of the present invention is to provide an information dispatching system which permits various kinds of information, including newspaper information are dispatched
15 directly to individual homes by radio broadcasting, thereby permitting subscribers to effectively utilize the dispatched information.

 Another preferred aim of the invention is to improve operating conditions in a newspaper information dispatching
20 system which employs a radio circuit.

 The present invention for accomplishing the aforementioned objects may have for example, an information dispatching system comprising a central office, a plurality of local offices and a plurality of terminal
25 offices, wherein:

the central office includes means for electronically creating first newspaper data, and means for transmitting the created first newspaper data to the local offices;

5 each of the local offices includes means for electronically creating second newspaper data, means for receiving the first newspaper data from the central office, means for creating third newspaper data into which the received first newspaper data and the created second
10 newspaper data are combined and edited, and means for broadcasting the created third newspaper data through a radio channel; and

each of the terminal offices includes means for receiving the third newspaper data broadcasted from a
15 specified one of the local offices, record means for recording the received third newspaper data, and means for reading and displaying the third newspaper data recorded by the record means.

Thus, by way of example, the central office transmits
20 the newspaper data of a national news section as the first newspaper data, while each local office creates the newspaper data of a local news section as the second newspaper data and edits the created second newspaper data in combination with the above newspaper data of the
25 national news section, and it thereafter broadcasts the resulting third newspaper data through the radio channel,

whereby the newspaper data based on the newspaper data of the national news section and closely relating to each local area can be created and dispatched.

5 Meanwhile, the above newspaper data broadcasted from the local office are received by the terminal office which is installed, for example, at the home of each subscriber, and they are temporarily recorded by the record means. Thereafter, the recorded newspaper data are read, for
10 example, in accordance with the subscriber's manipulation, and the image of a newspaper expressed by the read newspaper data is reconstructed and displayed.

 Character information, picture information such as a still picture or a motion picture, and voice information
15 are mentioned as the newspaper data which are handled in the information dispatching system. The three sorts of information items may be respectively transmitted separately and synthesized at each reception terminal, or they may well be transmitted after having been synthesized
20 on the transmission side. In any event, in the case of handling a plurality of information items, the respective information items need to be associated in a memory or the like. In the information dispatching system, accordingly, the newspaper page information items are reproduced in such
25 a way that the respective information items are stored as

element files, and that the element files are associated by a layout file and a directory file.

Further, in the newspaper dispatching system, the newspaper data are dispatched by employing a satellite circuit as may be needed. It is therefore desirable that the newspaper data are received only at homes which have subscribed to the newspaper. Accordingly, the terminal offices to utilize the newspaper are limited in such a way that the transmission data are encrypted, and that a cryptic key is specified by, for example, (1) an ID given to each home terminal and/or (2) the attribute of each document.

In operating the newspaper information dispatching system, the correction of the error component of the transmission data in the case of employing the satellite circuit is mentioned as a problem other than the handling of the cryptic key.

In the case of employing the satellite circuit, the transmission data contain the error component in relation to the distance between a satellite and each terrestrial station, etc. In the newspaper information dispatching system, therefore, an error detecting code is affixed to each transmission data, and the same data are repeatedly transmitted. More specifically, the terminal office on the reception side records the transmitted data, and it decides whether or not each data item is error data, on the basis

of the error detecting code. When the terminal office has subsequently received the retransmitted data, it records only the retransmitted data which was decided to be the error data in the past transmission, among the received data. Such processing is iterated several times, whereby the data containing no error component can be dispatched to the terminal office. Besides, the newspaper information dispatching system may well be so constructed that, in a case where the error component is contained in spite of the repeated transmissions of the newspaper data from the transmission side, the terminal office requests the local office to retransmit or dispatch the newspaper data through the terrestrial circuit or the satellite circuit. Incidentally, the request for the retransmission may well be automatically made by the terminal equipment at the terminal office.

Further, in a case where the newspaper data are not dispatched to the terminal office side due to any fault of, e. g., the satellite circuit, the terminal office which has prestored a scheduled time for the broadcast of the dispatch information, decides whether or not the newspaper information was received at the scheduled time, using its own timekeeping means. Upon deciding that there was a failure to receive the information, the terminal office requests the local office to retransmit the newspaper data by the method stated above.

The operating conditions of the newspaper information dispatching system are improved with respect to the above points.

5 In the drawings:

Fig. 1 is a general arrangement diagram showing the architecture of an information dispatching system according to an embodiment of the present invention.

10 Fig. 2 is a block diagram showing the architecture of an information edit/transmission system in the embodiment.

Fig. 3 is a diagram showing the structure of newspaper data in the embodiment.

15 Figs. 4A thru 4C are diagrams each showing a frame which is used for broadcast in the embodiment.

Fig. 5 is a block diagram showing the architecture of a home terminal in the embodiment.

Fig. 6 is a diagram for explaining the operation of reading the newspaper data in the embodiment.

20 Fig. 7 is a block diagram showing the architecture of a newsdealer terminal in the embodiment.

Fig. 8 is a perspective view showing the external appearance of a portable read terminal in the embodiment.

25 Fig. 9 is a block diagram showing the internal construction of the portable read terminal depicted in Fig. 8.

Figs. 10A and 10B are perspective views respectively showing the external appearance and internal structure of a spectacles type display device in the embodiment.

5 Fig. 11 is a sketch for explaining the operation of utilizing a dictionary in the embodiment.

Fig. 12 is a diagram showing the concept of using a common channel according to another embodiment of the present invention.

10 Fig. 13 is a block diagram showing the architecture of a memory card read/write device of portable type in each of the embodiments.

Figs. 14A and 14B are block diagrams each showing another example of the architecture of the home terminal.

15

Embodiments of an information dispatching system according to the present invention will be described below.

20 Now, the application of the present invention to the dispatch of a newspaper will be described as the first embodiment.

Fig. 1 illustrates the architecture of the information dispatching system of this embodiment.

25 Referring to the figure, the information dispatching system comprises a newspaper edit/dispatch system 1 which is installed in the head office of a

newspaper publishing company, newspaper edit/broadcast systems 2 which are installed in the branch offices of the company located in respective local areas, newsdealer terminals 3 and 4 which are respectively installed in newsdealers premises, and home terminals 5 which are installed in the home of individual subscribers. Further, the embodiment includes a terrestrial network 6 such as a public network, a communication satellite 7 which provides radio channels, a common carrier 8, local terrestrial circuits 9, places of business 10 which offer information constituting the contents of the newspaper, and printing centers 11 which print newspaper pages so as to distribute the printed pages therefrom in the respectively corresponding local areas. Incidentally, the places of business 10 as mentioned above include, for example, the Meteorological Agency which offers weather information, a stock exchange which offers stock price information, the Bank of Japan which offers foreign exchange information, and various corporations which offer advertisements.

In such an architecture, the newspaper edit/dispatch system 1 in the head office of the newspaper publishing company electronically creates the newspaper pages of a national news section as newspaper data by editing, for example, news items created on the basis of information offered through the local terrestrial circuit 9 by the places of business 10, news items received from the

newspaper edit/broadcast systems 2 in the branch offices of the newspaper publishing company by utilizing the radio circuits provided by the communication satellite 7, and news items created by newspeople. Thereafter, the newspaper edit/dispatch system 1 transmits the created newspaper data to the newspaper edit/broadcast systems 2 of the branch offices by utilizing the radio circuits provided by the communication satellite 7. By the way, such transmission and reception of the newspaper data between the head and branch offices can utilize, for example, a technique stated in "HITACHI REVIEW", VOL. 74, NO. 7 (1992-7), PP. 21 to 26.

In the newspaper edit/broadcast system 2 of each branch office of the newspaper publishing company, the newspaper data of the newspaper to be dispatched in the corresponding local area are created from the received newspaper data of the national news section, and newspaper data expressing the newspaper pages of a local news section in which information on the local area assigned to the pertinent branch office itself have been edited. The created newspaper data are sent to the nearest printing center 11 through the terrestrial circuit 9, while at the same time, they are broadcasted by utilizing the radio circuit provided by the communication satellite 7. In the printing center 11, printing film is prepared from the newspaper data, lithographic plates are fabricated from the

printing film, and the newspaper pages of the newspaper data of the national and local news sections are printed by offset lithography employing the lithographic plates.

5 Thereafter, the printed newspaper pages are distributed to the newsdealers equipped with the terminals 3 or 4. Each of the newsdealers having the terminals 3 inserts bills in the distributed newspaper sheets as requested, and then delivers the newspaper sheets to homes which are not equipped with the home terminals 5.

10 Besides, in each newsdealer having the terminal 4, the newspaper sheets distributed from the printing center 11 are sold after inserting bills which the pertinent newsdealer has been requested to insert in the newspaper sheets. Also, the newspaper data broadcasted from the system 2 of the branch office by the radio circuit are
15 received by the newsdealer terminal 4, the bill data of the aforementioned bills are affixed to the received newspaper data, and the resulting newspaper data are stored in portable storage media such as magnetooptic disks. The
20 storage media are sold at the newsstands of kiosks etc. near the pertinent newsdealer having the terminal 4. Meanwhile, in each of the home terminals 5, the newspaper data broadcasted from the branch office having the system 2 are received and are temporarily stored. Thereafter, the
25 newspaper pages are reconstructed and displayed in compliance with the subscriber's request. Herein, the

pertinent newsdealer having the terminal 3 can radio broadcast the data of the aforementioned bills to each home terminal 5.

By the way, the transmission and reception among the newspaper edit/dispatch system 1 of the head office, the newspaper edit/broadcast systems 2 of the branch offices and the newsdealer terminals 3 and 4 of the newsdealers need not always be performed through the radio circuits provided by the communication satellite 7 as described above, but they may well be partly or wholly done by utilizing the terrestrial circuits 9 and the terrestrial network 6. The newspaper data radio broadcasted directly from the head office (system 1) and the branch offices (systems 2) in the foregoing aspect of operation may well be sent temporarily to the common carrier 8 through the terrestrial circuits 9 and the terrestrial network 6 so as to transmit them from this common carrier.

There will now be described the newspaper edit/dispatch system (1 in Fig. 1) which creates and transmits the newspaper data in the head office of the newspaper publishing company.

Fig. 2 illustrates the architecture of the newspaper edit/dispatch system 1.

Referring to the figure, this system 1 includes a CTS (Computerized Typesetting System) 100, a computer 102, databases 101 and 108, a scrambler 103, a transmitter 104,

an antenna 105 for communications utilizing the satellite (7 in Fig. 1), a receiver 106 and a descrambler 107.

The CTS 100 accepts as its inputs, news items and photographs given in the form of digital data and advertisement data stored in the database 101. It edits the inputs in accordance with instructions from an operator, and creates newspaper data which specify newspaper pages and which are output. Since such CTS's have already been used extensively in newspaper publishing companies, book publishing companies, etc., they shall be omitted from detailed description. Incidentally, the CTS's are explained in detail in "PRINTING GUIDEBOOK FOR CREATORS, 4" (issued by Genkō-sha), etc.

Here, the structure of the newspaper data is as illustrated in Fig. 3.

The newspaper data are constructed of a header file, a layout file, element files and a directory file as shown in the figure.

The element files include a text file in which the texts of the news items constituting the newspaper are stored, a still picture file in which the still picture data of the photographs and advertisements are stored, etc. Here in this embodiment, a motion picture file storing motion picture data therein is also employed as the element file. By the way, still pictures and motion pictures are stored in the element files in terms of the data coded in

accordance with predetermined coding rules such as so-called JPEG (Joint Photographic coding Experts Group) or MPEG (Moving Picture Experts Group). Owing to the adoption of such a motion picture file, a new aspect is introduced into conventional newspapers which consist only of character information and still picture information.

The header file is a file describing the corresponding relationships between the headings of the news items contained in the newspaper and the pages where the news items exist.

The layout file is a file describing the layout of the texts, photographs etc. expressed by the respective element files, in other words, the areas of the pages of the newspaper where the texts, photographs etc. are laid out. Besides, in this embodiment, the areas of the pages of the newspaper where the motion picture files are held in correspondence are also described in the layout file.

The directory file is a file describing, for example, the filenames and sorts (the header file, the element file, etc.) of the files contained in the newspaper data, and the data formats (the text, the still picture coding system, etc.), the dates of creation and the number of versions of the respective files.

Referring back to Fig. 2, upon receiving such newspaper data from the CTS 100, the computer 102 affixes an error correcting code and necessary control information

to the newspaper data, and it commands the transmitter 104 to transmit the resulting newspaper data to the individual branch offices, in accordance with branch office information etc. stored in the database 108. Also, it
5 delivers the newspaper data to the scrambler 103.

The scrambler 103 encrypts the newspaper data to-be-transmitted by the use of a predetermined key.

The transmitter 104 transmits the encrypted newspaper data to the newspaper edit/broadcast systems (2 in Fig. 1)
10 of the respective branch offices through the antenna 105 and the satellite (7 in Fig. 1) in accordance with a predetermined transmission format.

On the other hand, the descrambler 107 decrypts using a predetermined key, those encrypted data of the news
15 items, photographs etc. which the receiver 106 has received from any of the newspaper edit/broadcast systems 2 of the branch offices through the antenna 105 and the satellite (7) in accordance with a predetermined format. The decrypted data are input to the CTS 100 through the
20 computer 102, and are used for editing the newspaper until they are processed into the element file.

Next, there will be described the newspaper edit/broadcast system 2 which edits and broadcasts the newspaper in each of the branch offices of the newspaper
25 publishing company.

The architecture of the newspaper edit/broadcast system 2 is the same as that of the newspaper edit/transmission system 1 shown in Fig. 2.

5 The transmission of a news item or a photograph from the newspaper edit/broadcast system 2 to the newspaper edit/dispatch system 1 of the head office is the same as that of the newspaper data from the newspaper edit/dispatch system 1 of the head office to the newspaper edit/broadcast system 2, except that the subject of the transmission from
10 the system 2 is a news item or photograph accepted into the CTS 100.

Meanwhile, the terminal ID's (identifiers) of the newsdealer terminal 3 of the newsdealer being under contract with the pertinent branch office and the home
15 terminals 5 possessed by the subscribers of the newspaper, and the contents of contracts associated with the terminal ID's are registered in the database 108 of the newspaper edit/broadcast system 2 which is installed in each branch office. The terminal ID's are ID's which are appropriate
20 to the newsdealer terminal 3 and the home terminals 5. In addition, the contents of the contracts are conditions, for example, the kinds of newspapers and the terms of subscriptions, with which the subscribers are in agreement with the pertinent branch office. The kinds of the
25 newspapers are, for example, a sporting newspaper, a general newspaper and a financial newspaper.

Herein, the computer 102 of the newspaper edit/broadcast system 2 supplies each of the subscribers with information items to be explained below, repeatedly in cycles.

5 The computer 102 transfers a control frame which is composed of a control data part and a data field as shown in Fig. 4A, to the transmitter 104 without the intervention of the scrambler 103. In this case, the control data part stores therein the individual terminal ID of the pertinent
10 subscriber and a command for registering the contents of the contract, while the data field stores therein an information provider ID expressive of the office offering the newspaper (the ** branch office of the ** newspaper publishing company) and the contents of the contract stored
15 in the database 108 in correspondence with the pertinent terminal ID.

Subsequently, the transmitter 104 disassembles the control frame stated above, and it stores the respective data of the control data part and the data field in the
20 data field of a transmission frame shown in Fig. 4C. Further, it affixes an error correcting code (ECC) to the data field in the transmission frame, and it broadcasts the transmission frame on a TDM (time division multiplex)
channel for the control frame, through the antenna 105 and
25 the satellite 7. That is, in this embodiment, TDM channels on a single frequency channel are employed.

On the other hand, the newspaper data are broadcast as explained below.

The descrambler 107 of the newspaper edit/broadcast system 2 decrypts, using the same key as that of the newspaper edit/transmission system 1 of the head office, the encrypted newspaper data which the receiver 106 has received from the head office system 1 through the antenna 105 and the satellite 7 in accordance with the predetermined format. The decrypted newspaper data are input to the CTS 100 through the computer 102 so as to be edited in combination with the newspaper pages of the local news section. That is, the element files are added, and the header file and layout file are altered. The combined and edited newspaper data are output to the computer 102.

The combined and edited newspaper data may well be also sent from the CTS 100 to the printing center 11 through the local terrestrial circuit 9.

Subsequently, the computer 102 commands the transmitter 104 to broadcast a data frame in a format composed of a management data part and a data field as shown in Fig. 4B. In this case, the kind of newspaper, the date of issue, and the ID expressive of the information provider (the ** branch office of the ** newspaper publishing company) are stored in the management data part, while the newspaper data are stored in the data field.

That is, the computer 102 transfers the data stored in the management data part directly to the transmitter 104 without the intervention of the scrambler 103, whereas it transfers the data stored in the data field, to the transmitter 104 through the scrambler 103. On this occasion, the scrambler 103 encrypts the newspaper data stored in the data field, by the use of a predetermined key.

Subsequently, the transmitter 104 disassembles the data frame stated above, and it stores the respective data of the management data part and the data field in the data field of the transmission frame shown in Fig. 4C. Further, it affixes an error correcting code (ECC) to the data field in the transmission frame, and it broadcasts the transmission frame on a TDM channel for the data frame that is included in the same frequency channel as that of the foregoing TDM channel for the control frame, through the antenna 105 and the satellite 7. Thus, in this embodiment, the transmission frame of the control frame and that of the data frame are broadcasted on different TDM channels on the identical frequency channel. In this regard, however, both the transmission frames may well be broadcasted on the identical frequency channel without employing the TDM channels, and frames in an identical format may well be employed.

Next, the home terminal 5 installed at each subscriber home will be described.

Fig. 5 illustrates the architecture of the home terminal 5.

5 Referring to the figure, the home terminal 5 includes a CPU 501, a ROM 502, a RAM 503, a display controller 504, a display device 505, an input device 507 such as keyboard or mouse, a memory card driver 510, a still-picture decoder 511, a motion-picture decoder 512, a tuner 514, an antenna
10 515, a disk controller 516, a disk drive 517, and a communication controller 518 such as modem or TA (terminal adapter). Also included are I/F (interface) circuits 506, 508, 509 and 513.

Besides, the tuner 514 includes a receiver 531, a
15 descrambler 532, an error correcting circuit 533, a controller 534, a multiplexer/demultiplexer 535 and a reception buffer 536.

Now, the operation of the home terminal 5 will be explained.

20 In order to utilize the broadcast of the newspaper data from the branch office of the newspaper publishing company at the home terminal 5, a descrambler key needs to be acquired and set in the descrambler 532.

The subscriber-to-be acquires the descrambler key, for
25 example, in such a way that he/she receives a memory card storing the descrambler key therein, from a salesperson

after his/her contract with the newsdealer (having the terminal 3), and takes the descrambler key into the home terminal 5 by means of the memory card driver 510, or that he/she purchases a disk type storage medium in which the descrambler key is recorded and which is sold by the newsdealer, and takes the descrambler key through the disk drive 517.

Mentioned as an alternative method utilizing no ID card is one in which the subscriber-to-be accesses a predetermined contract center through the modem 518 and acquires the descrambler key by reception.

When the descrambler key has been acquired in this way, the CPU 501 sets the descrambler key in the descrambler 532 of the tuner 514 through the controller 534 thereof, in association with the frequency channel and TDM-channel on which the data frame storing the newspaper data of the subscripitive newspaper therein is to be broadcasted.

On the other hand, when the channel of the receiver 531 has been set by the subscriber to the frequency channel on which the newspaper under contract is to be broadcasted, the receiver 531 receives the transmission frame transmitted on the TDM channel for the control frame (this transmission frame corresponds to Fig. 4A) and delivers the received frame to the error correcting circuit 533. Then, the error correcting circuit 533 corrects any transmission error by the use of the error correcting code contained in

the transmission frame. The corrected data of the transmission frame is directly written into the reception buffer 536, and the frame shown in Fig. 4A referred to before is restored.

5 Further, the receiver 531 receives the transmission frame transmitted on the TDM channel for the data frame (this transmission frame corresponds to Fig. 4B) and delivers the received frame to the error correcting circuit 533. Then, the error correcting circuit 533 corrects any
10 transmission error by the use of the error correcting code contained in the transmission frame. In the corrected data of the transmission frame, the management information is directly written into the reception buffer 536, and the newspaper data is written into the reception buffer 536
15 through the descrambler 532. Such partitioning of the data items can be realized by, for example, affixing special identification flags before and behind the newspaper data and recognizing the flags in the receiver 531. Alternatively, the data field and the management
20 information part shown in Fig. 4B may well be correlated with each other and broadcasted using separate TDM channels.

The descrambler 532 descrambles the newspaper data by the use of the descrambler key set before in correspondence
25 with that TDM channel of the frequency channel on which the data frame has been received.

The frames restored in the reception buffer 536 (the frames shown in Figs. 4A and 4B) are successively sent to the RAM 503 through the multiplexer/demultiplexer 535 as well as the I/F circuit 513 so as to be stored therein.

5 Subsequently, the CPU 501 reads out the control data part of the control frame (refer to Fig. 4A) sent to the RAM 503, and it runs the command on condition that the terminal ID of the pertinent home terminal 5 is contained in the control data part. As explained before, the command
10 causes the RAM 503 to register therein the contents of the contract stored in the control data part.

 Thus, the CPU 501 registers the information provider ID and the contractual contents contained in the data field shown in Fig. 4A, in the RAM 503 as utilization permission
15 information. However, in a case where the utilization permission information items having the information provider ID contained in the data field of the frame have already been registered, the registered contents are
20 rewritten into the contractual contents received anew.

 Likewise, when the data frame (refer to Fig. 4B) has been transferred to the RAM 503, the CPU 501 collates the management information of the management data part of this data frame with the utilization permission information (information provider ID and contractual contents)
25 registered before. More specifically, the CPU 501 checks whether or not the date of issue, the kind of the newspaper

and the information provider ID which are contained in the management information agree with the information provider ID and the contractual contents (the kind of the newspaper and the subscription term of the contract) which are
5 registered in the RAM 503. Herein, in the presence of the agreeing information items, the newspaper data contained in the data field of the data frame (Fig. 4B) is recorded in the disk drive 517, and in the absence thereof, the transferred data frame is discarded.

10 Thereafter, when the subscriber gives the instruction of reproducing the received newspaper data, the CPU 501 searches the newspaper data recorded in the disk drive 517, for the directory file and displays the list of directories in the directory file on the display device 505. In the
15 directory file, an attribute identifier capable of distinguishing the directory file from any other kind of file is affixed to the filename of this directory file. Herein, a name, such as "** Newspaper, Dated **, Morning Edition" by which the newspaper corresponding to the
20 directory file can be recognized is given as the filename.

 Further, the subscriber manipulates the input device 507 to designate the directory which corresponds to the newspaper to-be-reproduced. Then, the CPU 501 operates to
25 fetch the header file stated in the directory designated by the subscriber and to display the list of headings in the header file.

Subsequently, when the heading is designated through the input device 507 by the subscriber, the CPU 501 obtains a page in which a content corresponding to the designated heading is stated, as illustrated in Fig. 6. More specifically, the CPU 501 searches for the layout file corresponding to the pertinent heading and obtains the statements of a corresponding layout. Subsequently, the CPU 501 fetches the element files of, e. g., a news item and a photograph laid out on the pertinent page in accordance with the statements of the layout, and it operates to present a display on the display device 505 in accordance with the stated layout. On this occasion, a still-picture file is decoded by the still-picture decoder 511, and the decoded still picture is displayed.

Besides, in a case where an area associated with a motion-picture file by the layout file has been designated on the above display by the subscriber, the corresponding motion-picture file is decoded by the motion-picture decoder 512, and the decoded motion picture is displayed in the area or on the whole screen of the display device 505. The original display is resumed when the display of the motion picture has ended or when a predetermined manipulation has been done. By the way, such an area associated with a motion-picture file should desirably be displayed so that the association can be recognized.

Likewise to the area of the motion-picture file, areas can

be associated with a text file, a still-picture file, a voice file etc. so as to be reconstructed and displayed in accordance with the designations of the respective areas. In the case of handling the voice file, however, also a
5 voice decoder must be mounted.

The display of another document is also permitted by associating each area with the document file or header file of the other document and displaying the heading of the other document in accordance with the designation of the
10 area. In this way, a hierarchic newspaper can be realized.

Each area can also be associated with a predetermined program or data. By way of example, the telephone No. of an advertiser, the order code of an article, etc. may well be allocated to an area within an advertisement page.
15 Herein, in accordance with the designation of the area, the order code is automatically transmitted to the advertiser by dialing the telephone No. through the communication controller 518 and the terrestrial circuit 9 as well as the terrestrial network 6.

20 Besides, the CPU 501 executes various display operations such as next-page display, previous-page display and designated-page display, in accordance with the subscriber's manipulations.

Next, the newsdealer terminal 3 or 4 will be
25 described.

Fig. 7 illustrates the architecture of the newsdealer terminal 3 or 4.

The architecture of the newsdealer terminal 3 or 4 is similar to that of the home terminal 5, but the former differs from the latter only in the point of including a plurality of disk drives (517) by which the newspaper data are recorded in parallel. Each of the newsdealer terminals 3 and 4 records the newspaper data in portable type disk storage media to be explained below, by the use of the disk drives (517), and sells the disk storage media thus prepared. Incidentally, the newsdealer terminal 3 is also furnished with means, not shown in Fig. 7, for transmitting the bill data of inserts which the newsdealer having the pertinent terminal 3 handles, to the home terminals 5.

The disk drive 517 included in each of the home terminal 5 and the newsdealer terminals 3 and 4 is a write/read device which writes and reads data into and out of the portable type disk storage medium such as magneto-optic disk. Each of the subscribers takes the disk storage medium containing the recorded newspaper data, out of the home terminal 5, or purchases it from the newsdealer having the terminal 3 or 4. He/she can utilize the disk storage medium by the use of a portable read device to be explained below.

Fig. 8 illustrates the external appearance of the portable read device.

As shown in the figure, the portable read device 800 is a battery-driven terminal equipment which includes a liquid-crystal (LC) panel 801 as a display unit, a disk drive 802 as a read unit, and an input pen 803 a pointing device. Numeral 804 denotes a battery.

5

Further, Fig. 9 illustrates the internal construction of the portable read device 800.

Referring to the figure, the device 800 is constructed of a CPU 901, a ROM 902, a RAM 903, a disk controller 904, the disk drive 802, a display controller 905, the LC panel 801, the input pen 803, and a pen input coordinate detector 907.

10

Since the operation of such a portable read terminal 800 for reading the newspaper data is the same as the read operation of the home terminal 5 stated before, it shall not be repeatedly explained.

15

Although, in this embodiment, the disk storage medium is employed as the portable storage medium for storing the newspaper data, it may well be another portable storage medium, for example, memory card.

20

Besides, as the display unit of the portable read terminal 800, the LC panel 801 may well be replaced with a spectacles type display device as shown in Figs. 10A and 10B.

Fig. 10A illustrates the external appearance of the display device 1010 of the portable read terminal, while Fig. 10B illustrates the internal structure thereof.

As seen from Fig. 10B, the display device includes an
5 LED array 1001, lenses 1002, a plane mirror 1003, concave mirrors 1004, a vibrating motor 1005 and an opaque cover 1006.

Light emitted from the LED array 1001 is bent or
turned by the plane mirror 1003 and the concave mirrors
10 1004 in the order mentioned. The bent light is passed through the lenses 1002, and is visually recognized by the subscriber wearing the spectacles type display device. Here, an image to be visually recognized by the subscriber is a virtual one formed by the concave mirrors 1004, and it
15 is recognized several tens [cm] ahead by the subscriber. In addition, a picture which the LED array 1001 displays at one time is one line of, for example, a newspaper picture. However, the subscriber is caused to visually recognize the newspaper picture of predetermined area as if this picture
20 were displayed at one time, owing to the following contrivance: The LED array 1001 displays the respective lines of the newspaper picture iteratively at high speed, and the vibrating motor 1005 vibrates the plane mirror 1003 in synchronism with the display operations so that the line
25 displayed by the LED array 1001 may exist at the position of the image corresponding to the particular line. The

display area is controlled in accordance with the manipulative input situation of cursor keys 1012 shown in Fig. 10A. In this figure, numeral 802 indicates a disk drive.

5 As described above, according to this embodiment, the newspaper can be dispatched by the broadcast so as to be available to only the subscribers. Moreover, each of the subscribers can utilize the dispatched newspaper data in, for example, a streetcar similarly to the conventional
10 newspaper by the use of the portable read terminal explained before.

 Meanwhile, the information dispatching system thus far described may well be modified and extended as explained below.

15 In the foregoing embodiment, the newspaper data are broadcasted every branch office of the newspaper publishing company. Alternatively, however, the parts of the local news sections may be collected from the respective branch offices to the newspaper edit/dispatch system 1 of the head
20 office and be broadcasted over the whole country by the head office system 1. In this case, the element files of the part of the national news section, and the local news sections corresponding to the element files of the local news section parts of the respective local areas are
25 combined and edited. Layout files, document files and header files after the combination and editing are

broadcasted in the state in which management information items containing the identifications of the national news section and the local areas of the local news sections are affixed to the respectively corresponding files. In each
5 of the newsdealer terminals 3 and 4 and the home terminals 5, the identifications of the local news sections to be received are previously included in the contractual contents of the pertinent terminal stated before. Thus, each of the newsdealer terminals 3 and 4 and the home
10 terminals 5 is adapted to receive and record only the newspaper data as to which the identification of the national news section and the identifications of the contractual local news sections are included in the management information.

15 Incidentally, the newspaper data to be broadcasted may well be made the set of combined page data by simply accepting the data of the element files every page.

In the foregoing embodiment, the contents of the contract, in other words, the information items to be
20 registered as the reception or utilization permission information in each of the newsdealer terminals 3 and 4 and the home terminals 5 are set in the pertinent terminal by transmitting the control frame storing them (refer to Fig. 4A). This method, however, may well be replaced with any
25 of methods as explained below.

After the contract with the newsdealer, the subscriber having or to have the home terminal 5 receives from a salesperson a memory card in which the contractual contents are stored together with the descrambler key stated before, and he/she puts the information items into the home terminal 5 by the memory card driver 510 so as to register them as the reception permission information.

Alternatively, the subscriber-to-be purchases a disk device which stores the descrambler key and the contractual contents therein and which is sold at a price dependent upon the contractual contents at the newsdealer, and he/she registers the information items as the reception permission information. In this case, the number of times which the newspaper data can be recorded, etc. may well be included as the contractual contents in the disk storage medium.

Besides, each of the newsdealer terminals 3 and 4 and the home terminals 5 operates so that the newspaper data corresponding to the contractual contents stored in the disk storage medium may be prevented from being recorded in any disk device other than the purchased disk device.

Also, each terminal prevents the newspaper data from being recorded in excess of the number of times specified in the contractual contents.

As another method, in the case where the descrambler key is received by accessing the predetermined contract center through the modem communication controller 518, the

contractual contents may well be obtained together with the key and be registered as the availability information. In this case, it is favorable to employ a system in which the subscription to the newspaper is automatically charged by the access to the contract center.

Besides, the contractual contents (reception permission information) to be stored in the home terminal 5 may well be encrypted. A key for decrypting the contractual contents is affixed, and is transmitted together with the newspaper data included in the contractual contents (reception permission information). At the home terminal 5, the contractual contents are decrypted by the use of the key, and the newspaper data are recorded only when the contractual contents (reception permission signal) have agreed with the contents of the management information of the newspaper data.

Next, in the foregoing embodiment, each of the newsdealer terminals 3 and 4 and the home terminals 5 acquires the descrambler key by any of the techniques other than broadcast. The descrambler keys, however, may well be sent by the broadcast from the newspaper edit/broadcast system 2 of the branch office of the newspaper publishing company to the individual terminals 3, 4 and 5 by the use of the control frames (in Fig. 4A) similarly to the contractual contents explained above. That is, the newsdealer terminals 3 and 4 and the home terminals 5 which

acquire the descrambler keys to-be-broadcasted may well be controlled by the use of the terminal ID's. In this case, each of the newsdealer terminals 3 and 4 and the home terminals 5 registers the descrambler key contained in the data field of the received control frame, in the descrambler 532 on condition that the terminal ID of the pertinent terminal itself is contained in the control data part of the control frame. Thus, the key can be altered at will on the side of the newspaper publishing company.

10 Further, in the dispatch of the newspaper data employing the radio transmission line as described above, each of the newsdealer terminals 3 and 4 and the home terminals 5 sometimes fails to properly receive the newspaper data, depending upon the status of the transmission line, etc. In order to cope with such a situation, any of contrivances to be explained below may well be adopted.

20 The newspaper edit/broadcast system 2 in the branch office of the newspaper publishing company affixes an error detecting code to each of the files which constitute the newspaper data. Under this condition, the branch office system 2 broadcasts the identical newspaper data repeatedly several times. Each of the newsdealer terminals 3 and 4 and the home terminals 5 checks the error of each file of the newspaper data stored in the RAM 503. In the presence of the error, the terminal

3, 4 or 5 discards the erroneous file without recording it in the disk storage medium, so as to record that file of the same identifier which is to be broadcasted later.

Alternatively, the identifiers of the files contained in the newspaper data scheduled to be broadcasted, and the end times of the broadcasts are registered in each home terminal 5 beforehand. In a case where the corresponding file failed to be received in spite of the lapse of the transmission end time, the home terminal 5 notifies the failure to, e. g., the newsdealer through the communication controller 518 as well as the terrestrial circuit 9. Incidentally, the scheduled transmission-end time mentioned above can be sent from the newspaper edit/broadcast system 2 of the branch office to the home terminal 5 which receives the file contained in the newspaper data of the newspaper scheduled to be broadcasted, by broadcasting the data frame (Fig. 4B) in which the identifier of the particular file and the scheduled broadcast-end time are stored in the data field, while the management information of the particular newspaper data scheduled to be broadcasted is stored in the management data part. Herein, the management information states to the effect that the information of the data field is one indicative of the scheduled transmission-end time, and the home terminal 5 registers the information of the data field as the

transmission end schedule in compliance with the management information.

Meanwhile, the news of the newspaper should preferably be updated with the progress of an actual fact similarly to television news. In this embodiment, therefore, the updating of the news is realized as stated below.

The newspaper edit/broadcast system 2 affixes creation dates and version Nos. to the individual files of the newspaper data, and then transmits the newspaper data. Upon receiving the newspaper data, each of the home terminals 5 and the newsdealer terminals 3 and 4 records the received newspaper data in the disk storage medium, and it also creates a table in which the identifiers, creation dates and version Nos. of the respective files are associated. On the other hand, when any of the files has been updated in accordance with the updating of the corresponding news in the newspaper edit/broadcast system 2, this system 2 affixes the creation date and version No. to the updated file and then transmits the data frame (Fig. 4B) whose data field stores the particular file therein and whose management data part stores therein the management information of the newspaper data to which the particular file belongs. In each of the home terminals 5 and the newsdealer terminals 3 and 4, the above table is searched for the identifier of the particular file contained in the received frame. In the presence of the file the identifier

of which agrees with that of the received file and the creation date and version No. of which differ from those of the received file, the file of the same identifier stored in the disk storage medium is updated by the received file, and the creation date and version No. recorded in association with the same identifier in the table are updated. In contrast, in the presence of the file whose identifier, creation date and version No. are all in agreement, the received file is discarded. Besides, in the absence of the stored file having the same identifier, the received file is stored in the disk storage medium anew, and the identifier, creation date and version No. of the received file are added into the table. Incidentally, at the time of the first reception of the newspaper data, the table as stated above can also be created from the contents of the document files explained before.

Next, the newspaper data may well be broadcasted to the individual home terminals from the newsdealer terminal 3 which replaces the system 2 of the branch office of the newspaper publishing company. In this case, the architecture of the newsdealer terminal 3 is assimilated to that of the newspaper edit/broadcast system 2. Herein, the newsdealer terminal 3 edits the newspaper data received by the newspaper edit/broadcast system 2 of the branch office, in combination with the data of bills which the newsdealer having the pertinent newsdealer terminal 3 has been

requested to insert into newspaper pages. Then, the newsdealer terminal 3 broadcasts the edited newspaper data to the home terminals 5.

5 Meanwhile, it is convenient that a dictionary for explaining terms contained in a newspaper can be utilized at the home terminal 5 or the portable read terminal, e. g., 800 (shown in Figs. 8 and 9), simultaneously with the display of the newspaper.

10 Therefore, this embodiment may well be so constructed that the data of such a dictionary are also broadcasted for the utilization at each home terminal or portable terminal. In this case, a dictionary data file is stored in the data frame (Fig. 4B) similarly to the newspaper data, and the data frame is broadcasted from the newspaper edit/broadcast system 2 of the branch office. In the management data part
15 of the data frame, the management information states to the effect that the data contained in the data field of the data frame are of the dictionary data file. Thus, each home terminal 5 or portable terminal 800 can handle the
20 broadcasted data as the dictionary data. Besides, such dictionary data may well be permitted to supplement terms and to revise the explanation. Here, assuming that the dictionary data file is the aggregate of records which states the explanation for the terms, the supplement or
25 revision can be done as follows: The record of the term to be supplemented or revised is stored in the data frame

similarly to the dictionary data, and this data frame is
broadcasted. At each home terminal 5 or portable terminal
800, the record contained in the received data frame is
added to the dictionary file, or the corresponding record
5 in the dictionary file is updated by the received record.
Incidentally, a program for utilizing such dictionary data
is installed in each home terminal 5 or portable terminal
800 beforehand. In accordance with the program, the home
terminal 5 or portable terminal 800 accepts the designation
10 of any term in the displayed newspaper made with the input
device 507 or input pen 803, it accesses the dictionary
data file, and it displays the corresponding explanation of
the designated term in a window form as illustrated in Fig.
11.

15 Although, in the foregoing embodiment, the newspaper
data are recorded after having been descrambled, they may
well be recorded without being
descrambled and be descrambled in reading them.

20 The foregoing embodiment has referred to the case
where only the newspaper issued by the single newspaper
publishing company is broadcasted. However, a plurality of
newspaper or book publishing companies may well broadcast
publication data or various information items similarly to
the newspaper data by the use of one or more frequency
25 channels. Now, such newspaper data, publication data and
various information items being the subjects to which

subscribers subscribe shall be collectively called the "dispatch data".

In this case, as illustrated in Fig. 12, a common center for broadcasting the contents of the individual broadcasts may well be built so as to offer the information items of the respective broadcasts, such as frequency channels, broadcasting times and contents, through a specified frequency channel (called the "common channel"). By the way, the information items of the common channel are not subjected to scrambling. Besides, regarding a data frame received through the common channel, each home terminal 5 is permitted to utilize all the received contents without performing a control based on reception permission information, that is, without discarding the data frame. The information of the common channel may well be, for example, a guide video image. In this case, the home terminal 5 displays the received guide video image in real time. Of course, the common channel information may well be a text, voice or in any other format, and the home terminal 5 processes the information by a technique conforming to the adopted information format.

In the case where the plurality of newspaper or book publishing companies broadcast the dispatch data of newspapers, publications or/and various information items by the use of one or more frequency channels in this manner, the contractual contents explained before should

desirably be more subdivided so as to realize detailed contracts. By way of example, the sorts of newspapers, books etc., and the classes of information items are provided in the contractual contents. The sort and the class are entered into management information which is affixed to the dispatch data. The classes may be defined at will by each of the information providers, and general information and expert information, for example, are considered as the classes. Incidentally, the class need not always be afforded every aggregate of the dispatch data, but the classes may well be afforded to the respective element files of the dispatch data in broadcasting these data. Herein, the home terminal 5 compares its utilization permission information with the class every element file and controls its recording operation every element file.

Of course, the same applies to the newspaper data explained before.

As such dispatch data, an application program or the like utilizable at the home terminal 5 or the portable terminal 800 can also be dispatched similarly to the newspaper, the book etc.

In the information dispatching system thus far described, how each subscriber is charged for his/her subscription becomes a problem in practical use.

In the system, therefore, the charging or accounting may well be implemented as explained below.

The CPU 501 of the home terminal 5 shown in Fig. 5 manages the histories of the recording operations of the disk drive 517 for the individual information providers. When a bill collector comes, he/she delivers to the subscriber, a charge paying memory card for the information provider for which the bill collector works. Then, the subscriber inserts the memory card into the memory card driver 510. Upon recognizing the insertion of the charge paying memory card, the CPU 501 writes the history of the recording operations based on the reception from the pertinent information provider, into the memory card in accordance with the information provider ID or the like stored in this memory card beforehand. The bill collector receives the memory card from the subscriber, and he/she reads out and recognizes the identifiers, recording time periods, classes etc. of the newspapers, books etc. recorded by the particular subscriber, by means of a memory card read/write device of portable type as shown in Fig. 13. Then, the bill collector calculates the charges and receives payment. Referring to Fig. 13, the memory card read/write device includes a memory card driver 1301, a CPU 1303, a ROM 1304, a RAM 1305, an input device 1307, and I/F (interface) circuits 1302 and 1306. Numeral 1308 indicates a battery.

In this regard, it is also possible to write a descrambler key and contractual contents into the memory card by the use of the portable type memory card read/write device at the time of the contract and to deliver the memory card to the subscriber. Of course, the memory card may well be replaced with a disk medium. Incidentally, the history of the reading operations of the disk drive 517 may well be managed instead of the history of the recording operations so as to charge the subscriber in accordance with the situation of the reading operations.

Meanwhile, the information dispatching system as described above can be applied to the conveyance of an urgent alarm by remote-controlling the home terminal 5 by the use of the control frame (Fig. 4A) explained before.

The urgent alarm is broadcasted through a certain specified frequency channel by a warning center or the like, while at the same time, the control frame which stores therein a command for changing-over any reception channel to the urgent-alarm broadcasting channel and for reproducing the urgent alarm is broadcasted to all the other frequency channels. In the control frame, a specified ID is stored as a terminal ID. On the other hand, each home terminal 5 prestores therein the specified ID in addition to the terminal ID of its own, and it executes the command of the control frame containing the specified ID. In this case, the home terminal 5 changes-

over the reception channel to receive and reproduce the urgent broadcast. Alternatively, the home terminal 5 operates in compliance with the command contents of the control frame transmitted on the channel broadcasting the urgent alarm, thereby reproducing the urgent alarm. Herein, it is desirable that the urgent alarm is broadcasted as voice data, while the home terminal reproduces the voice data in real time by means of a voice decoder mounted therein. As a matter of course, however, the urgent alarm may well be any of a text, a picture, etc.

As explained above, the terminals on the reception side can be remote-controlled from the broadcast side in the information dispatching system according to this embodiment. Therefore, this feature may well be utilized for performing the setup etc. of the peripheral devices of the home terminals 5 by the remote controls before the broadcast of the dispatch data.

Such remote controls are effective in a case, for example, where the functions of each home terminal 5 are distributively implemented by a tuner 1401, a disk record device 1402 and a computer 1403 which are independent of one another as shown in Fig. 14A or Fig. 14B. Fig. 14A illustrates a construction in which the computer 1403 accepts the dispatch data from the tuner 1401 and records them in a disk medium set in the disk recorder 1402, while

Fig. 14B illustrates a construction in which the tuner 1401 directly writes the dispatch data into such a disk medium.

In this case, the control based on the control frame is performed by the tuner 1401, and processing such as the startup of the disk recorder 1402 and the computer 1403 is effected before the reception of the dispatch data in accordance with the remote control based on the control frame. The recording itself of the dispatch data may well be done in accordance with such a remote control. On this occasion, the tuner 1401 commands the computer 1403 or the disk recorder 1402 to record the received data, in accordance with the remote control based on the control frame. By the way, in the case of the construction as shown in Fig. 14B, those controls of the reception and recording which use the terminal ID and contractual contents are performed on the side of the tuner 1401. Besides, in the case of the construction as shown in Fig. 14A, the reception and recording controls using the terminal ID and contractual contents may be done on the side of either of the tuner 1401 and the computer 1403.

Although, in this embodiment, the encryption based on the scrambling is adopted for encrypting the contents of the broadcast, encryption based on any other technique may well be utilized.

As described above, according to the present invention, it is possible to provide an information

dispatching system in which various kinds of information items including the information of a newspaper can be directly dispatched to individual homes by the use of a communication channel, and which enables individual subscribers to effectively utilize the dispatched information.

CLAIMS

1 1. An information dispatching system, comprising:
2 an information offering office which includes;
3 edit means for editing digitized document
4 information, and
5 broadcast means for broadcasting the edited
6 document information through a radio channel, and
7 terminal offices each of which includes;
8 reception means for receiving the broadcasted
9 document information, and
10 record means for recording the received
11 document information in a portable storage medium.

1 2. An information dispatching system as defined in
2 claim 1, wherein said edit means edits the document
3 information so as to contain a plurality of sorts of
4 information which are selected containing characters from
5 among four sorts of digitized information, said sort of
6 digitized information being characters, a still picture, a
7 motion picture, and voice.

1 3. An information dispatching system as defined in
2 claim 1, further comprising portable read terminals each of
3 which reads and displays the document information recorded
4 in said portable storage medium.

1 4. An information dispatching system as defined in
2 claim 2, further comprising portable read terminals each of
3 which reads and displays the document information recorded
4 in said portable storage medium.

1 5. An information dispatching system as defined in
2 claim 1, wherein:
3 said information offering office includes
4 encryption means for encrypting the document information
5 to-be-broadcasted by the use of a specified cryptic key,
6 and means for affixing terminal ID's of the respective
7 terminal offices permitted to receive the document
8 information, to the specified cryptic key, and then causing
9 said broadcast means to broadcast the cryptic key bearing
10 the terminal ID's; and

11 each of said terminal offices includes means for
12 storing the terminal ID of its own therein, means for
13 storing the received cryptic key therein when said
14 reception means has received said specified cryptic key
15 bearing the stored terminal ID, and decryption means for
16 decrypting said received document information by the use of
17 the stored cryptic key.

1 6. An information dispatching system as defined in
2 claim 2, wherein:

3 said information offering office includes
4 encryption means for encrypting the document information
5 to-be-broadcasted by the use of a specified cryptic key,
6 and means for affixing terminal ID's of the respective
7 terminal offices permitted to receive the document
8 information, to the specified cryptic key, and then causing
9 said broadcast means to broadcast the cryptic key bearing
10 the terminal ID's; and

11 each of said terminal offices includes means for
12 storing the terminal ID of its own therein, means for
13 storing the received cryptic key therein when said
14 reception means has received said specified cryptic key
15 bearing the stored terminal ID, and decryption means for
16 decrypting said received document information by the use of
17 the stored cryptic key.

1 7. An information dispatching system as defined in
2 claim 3, wherein:

3 said information offering office includes
4 encryption means for encrypting the document information
5 to-be-broadcasted by the use of a specified cryptic key,
6 and means for affixing terminal ID's of the respective
7 terminal offices permitted to receive the document
8 information, to the specified cryptic key, and then causing
9 said broadcast means to broadcast the cryptic key bearing
10 the terminal ID's; and

11 each of said terminal offices includes means for
12 storing the terminal ID of its own therein, means for
13 storing the received cryptic key therein when said
14 reception means has received said specified cryptic key
15 bearing the stored terminal ID, and decryption means for
16 decrypting said received document information by the use of
17 the stored cryptic key.

1 8. An information dispatching system as defined in
2 claim 1, further comprising:

3 at least one service office which includes means
4 for storing a predetermined cryptic key therein, and means
5 for bestowing the stored cryptic key on the terminal office
6 in compliance with an access of said terminal office to
7 said service office through a public network;

8 said information offering office including
9 encryption means for encrypting the document information
10 to-be-broadcasted by the use of the predetermined cryptic
11 key;

12 said each terminal office including means for
13 acquiring said predetermined cryptic key by access to said
14 service office through the public network, means for
15 storing the acquired cryptic key therein, and decryption
16 means for decrypting said received document information by
17 the use of the stored cryptic key.

1 9. An information dispatching system as defined in
2 claim 2, further comprising:

3 at least one service office which includes means
4 for storing a predetermined cryptic key therein, and means
5 for bestowing the stored cryptic key on the terminal office
6 in compliance with an access of said terminal office to
7 said service office through a public network;

8 said information offering office including
9 encryption means for encrypting the document information
10 to-be-broadcasted by the use of the predetermined cryptic
11 key;

12 said each terminal office including means for
13 acquiring said predetermined cryptic key by access to said
14 service office through the public network, means for
15 storing the acquired cryptic key therein, and decryption
16 means for decrypting said received document information by
17 the use of the stored cryptic key.

1 10. An information dispatching system as defined in
2 claim 3, further comprising:

3 at least one service office which includes means
4 for storing a predetermined cryptic key therein, and means
5 for bestowing the stored cryptic key on the terminal office
6 in compliance with an access of said terminal office to
7 said service office through a public network;

8 said information offering office including
9 encryption means for encrypting the document information
10 to-be-broadcasted by the use of the predetermined cryptic
11 key;

12 said each terminal office including means for
13 acquiring said predetermined cryptic key by the access to
14 said service office through the public network, means for
15 storing the acquired cryptic key therein, and decryption
16 means for decrypting said received document information by
17 the use of the stored cryptic key.

1 11. An information dispatching system as defined in
2 claim 1, wherein:

3 said information offering office includes means
4 for affixing management information expressive of an
5 attribute of the document information, to the document
6 information to-be-broadcasted, and means for affixing
7 terminal ID's of the respective terminal offices permitted
8 to utilize the document information of the specified
9 attribute, to said specified attribute of said document
10 information, and then causing said broadcast means to
11 broadcast the specified attribute bearing the terminal
12 ID's; and

13 each of said terminal offices includes means for
14 storing the terminal ID of its own therein, means for
15 storing the received attribute therein when said reception

16 means has received said specified attribute bearing the
17 stored terminal ID, and means for causing said record means
18 to record said received document information in said
19 storage medium, only when the management information
20 affixed to said received document information has matched
21 with the stored attribute.

1 12. An information dispatching system as defined in
2 claim 2, wherein:

3 said information offering office includes
4 means for affixing management information expressive of an
5 attribute of the document information, to the document
6 information to-be-broadcasted, and means for affixing
7 terminal ID's of the respective terminal offices permitted
8 to utilize the document information of the specified
9 attribute, to said specified attribute of said document
10 information, and then causing said broadcast means to
11 broadcast the specified attribute bearing the terminal
12 ID's; and

13 each of said terminal offices includes means for
14 storing the terminal ID of its own therein, means for
15 storing the received attribute therein when said reception
16 means has received said specified attribute bearing the
17 stored terminal ID, and means for causing said record means
18 to record said received document information in said
19 storage medium, only when the management information

20 affixed to said received document information has matched
21 with the stored attribute.

1 13. An information dispatching system as defined in
2 claim 3, wherein:

3 said information offering office includes
4 means for affixing management information expressive of an
5 attribute of the document information, to the document
6 information to-be-broadcasted, and means for affixing
7 terminal ID's of the respective terminal offices permitted
8 to utilize the document information of the specified
9 attribute, to said specified attribute of said document
10 information, and then causing said broadcast means to
11 broadcast the specified attribute bearing the terminal
12 ID's; and

13 each of said terminal offices includes means for
14 storing the terminal ID of its own therein, means for
15 storing the received attribute therein when said reception
16 means has received said specified attribute bearing the
17 stored terminal ID, and means for causing said record means
18 to record said received document information in said
19 storage medium, only when the management information
20 affixed to said received document information has matched
21 with the stored attribute.

1 14. An information dispatching system as defined in
2 claim 1, wherein:

3 said information offering office includes means
4 for affixing management information expressive of an
5 attribute of the document information, to the document
6 information to-be-broadcasted;

7 an attribute of the document information
8 recordable in said portable storage medium is prerecorded
9 in said storage medium; and

10 each of said terminal offices includes means for
11 causing said record means to record said received document
12 information in said storage medium, only when the
13 management information affixed to said received document
14 information has matched with the attribute recorded in said
15 portable storage medium which is set in said record means.

1 15. An information dispatching system as defined in
2 claim 2, wherein:

3 said information offering office includes means
4 for affixing management information expressive of an
5 attribute of the document information, to the document
6 information to-be-broadcasted;

7 an attribute of the document information
8 recordable in said portable storage medium is prerecorded
9 in said storage medium; and

10 each of said terminal offices includes means for
11 causing said record means to record said received document
12 information in said storage medium, only when the
13 management information affixed to said received document
14 information has matched with the attribute recorded in said
15 portable storage medium which is set in said record means.

1 16. An information dispatching system as defined in
2 claim 3, wherein:

3 said information offering office includes means
4 for affixing management information expressive of an
5 attribute of the document information, to the document
6 information to-be-broadcasted;

7 an attribute of the document information
8 recordable in said portable storage medium is prerecorded
9 in said storage medium; and

10 each of said terminal offices includes means for
11 causing said record means to record said received document
12 information in said storage medium, only when the
13 management information affixed to said received document
14 information has matched with the attribute recorded in said
15 portable storage medium which is set in said record means.

1 17. An information dispatching system comprising a
2 central office, a plurality of local offices and a
3 plurality of home terminals, wherein:

4 said central office includes means for
5 electronically creating first newspaper data, and means for
6 transmitting the created first newspaper data to the
7 individual local offices;

8 each of said local offices includes means for
9 electronically creating second newspaper data, means for
10 receiving said first newspaper data from said central
11 office, means for creating third newspaper data into which
12 the received first newspaper data and the second newspaper
13 data individually created by the pertinent local office are
14 electronically edited, and means for broadcasting the
15 created third newspaper data through a radio channel; and

16 each of the terminal offices includes means
17 for receiving the third newspaper data broadcasted from a
18 specified one of said local offices, record means for
19 recording the received third newspaper data, and means for
20 displaying that image of a newspaper which is expressed by
21 said third newspaper data recorded by said record means.

1 18. An information dispatching system comprising a
2 central office, a plurality of local offices and a
3 plurality of home terminals, wherein:

4 each of said local offices includes means for
5 electronically creating first newspaper data, and means for
6 transmitting the created first newspaper data to said
7 central office;

8 said central office includes means for
9 electronically creating second newspaper data, means for
10 receiving the plurality of first newspaper data transmitted
11 from the plurality of local offices, means for affixing
12 management information items by which said plurality of
13 first newspaper data are respectively identified, and means
14 for broadcasting said second newspaper data and the
15 plurality of first newspaper data bearing the management
16 information items, respectively, through a radio channel;
17 and

18 each of the home terminals includes means for
19 storing therein identification information of at least one
20 of said first newspaper data as is utilized by the
21 pertinent home terminal itself, means for receiving the
22 broadcasted second newspaper data and the broadcasted first
23 newspaper data bearing the management information item,
24 record means for recording the received second newspaper
25 data and the received first newspaper data bearing said
26 management information item which matches with the stored
27 identification information, and means for displaying the
28 first and second newspaper data recorded by said record
29 means.

1 19. An information dispatching system as defined in
2 claim 17, wherein:

3 said record means of said each home terminal is
4 record means for recording said newspaper data in a
5 portable storage medium which is set in said record means;
6 and

7 said information dispatching system further
8 comprises portable read terminals each of which includes
9 read means for reading a portable storage medium, means for
10 reconstructing that image of a newspaper which is expressed
11 by said newspaper data read from said portable storage
12 medium, and means for displaying the reconstructed image of
13 the newspaper.

1 20. An information dispatching system as defined in
2 claim 18, wherein:

3 said record means of said each home terminal is
4 record means for recording said newspaper data in a
5 portable storage medium which is set in said record means;
6 and

7 said information dispatching system further
8 comprises portable read terminals each of which includes
9 read means for reading a portable storage medium, means for
10 reconstructing that image of a newspaper which is expressed
11 by said newspaper data read from said portable storage
12 medium, and means for displaying the reconstructed image of
13 the newspaper.

1 21. An information broadcasting system, comprising:
2 a plurality of information offering offices each
3 of which includes edit means for editing digitized document
4 information, and broadcast means for broadcasting the
5 edited document information through a radio channel
6 allotted to the pertinent information offering office; and
7 an information center office which includes means
8 for broadcasting guide information items for broadcast
9 contents of said plurality of information offering offices,
10 through a specified radio channel.

1 22. An information dispatching system, comprising:
2 an information offering office which includes
3 edit means for editing a plurality of digitized dispatch
4 information, means for affixing an error detecting code to
5 the edited dispatch information, and broadcast means for
6 repeatedly broadcasting the dispatch information bearing
7 the error detecting code, through a radio channel; and
8 a plurality of terminal offices each of which
9 includes reception means for receiving the broadcasted
10 dispatch information, means for checking for any error in
11 the received dispatch information by the use of the error
12 detecting code affixed to said received dispatch
13 information, and means for recording the dispatch
14 information among the received dispatch information which
15 was newly received and in which no error was detected, and

16 the dispatch information which is the same as the dispatch
17 information which was received in the past and in which the
18 error was detected.

1 23. An information dispatching system, comprising:
2 an information offering office which includes
3 means for editing a plurality of items of account
4 information which express parts of a paper sheet image,
5 means for affixing identification information for
6 identifying the respective account information items, and
7 version information capable of identifying a version of
8 said account information items, to the edited account
9 information items, compilation means for compiling document
10 information which contains the plurality of account
11 information items bearing the identification information
12 and the version information, and information on layout of
13 the contents of said plurality of account information items
14 within the paper sheet image, and broadcast means for
15 repeatedly broadcasting either of the compiled document
16 information and the account information items bearing said
17 identification information and said version information,
18 through a radio channel; and
19 a plurality of terminal offices each of which
20 includes reception means for receiving the broadcasted
21 dispatch information items, means for recording the
22 received document information in a storage medium, and

23 means for rewriting the account information items contained
24 in the document information recorded in said storage
25 medium, into that account information items among the
26 received account information items which bears the same
27 identification information as the identification
28 information affixed to the account information items
29 contained in the document information recorded in said
30 storage medium, and which bears version information
31 indicative of a newer version than the version indicated by
32 the version information affixed to said account information
33 items contained in said document information currently
34 recorded in said storage medium.

1 24. An information dispatching system comprising an
2 information offering office, and a service office and a
3 plurality of terminal offices which are connected
4 through a communication network, wherein:

5 said information offering office includes edit
6 means for editing digitized dispatch information, and
7 broadcast means for broadcasting the edited dispatch
8 information through a radio channel; and

9 each of said terminal offices includes clock
10 means for timekeeping, means for storing therein a
11 scheduled time for the broadcast of said dispatch
12 information, reception means for receiving the broadcasted
13 dispatch information, means for recording the received

14 dispatch information in a storage medium, means for
15 referring to said clock means to decide if said dispatch
16 information was received by a time conforming to the stored
17 schedule for said broadcast, and means for notifying of a
18 failure to receive said dispatch information, to said
19 service office through said communication network on
20 condition that said dispatch information was not received
21 by the time conforming to said stored schedule for said
22 broadcast.

1 25. An information dispatching system, comprising:
2 an information offering office which includes
3 edit means for editing digitized document information, and
4 broadcast means for broadcasting the edited document
5 information and dictionary data which explain terms
6 contained in a document expressed by said document
7 information, through a radio channel; and
8 a plurality of terminal offices each of which
9 includes reception means for receiving the broadcasted
10 document information and dictionary data, record means for
11 recording the received document information and dictionary
12 data, means for reconstructing an image of the document
13 expressed by said document information recorded by said
14 record means, display means for displaying the
15 reconstructed image of said document, means for accepting
16 designation of the terms contained in said document, on the

17 display of said display means, and means for causing said
18 display means to display the explanation of said term whose
19 designation has been accepted, in accordance with said
20 dictionary data recorded by said record means.

1 26. An information dispatching system as defined in
2 claim 25, wherein:

3 said information offering office broadcasts
4 updated dictionary data; and

5 said each terminal office includes means
6 operating upon reception of said updated dictionary data,
7 to either alter, at least part of said dictionary data
8 recorded by said record means, in accordance with the
9 received updating dictionary data, or add said updated
10 dictionary data to said dictionary data recorded by said
11 record means.

1 27. An information dispatching system as defined
2 in claim 1, wherein said each terminal office further
3 includes a memory card driver, means for managing a history
4 of the records of the document information in said portable
5 storage medium set in said record means, and means for
6 writing the managed history into a memory card set in said
7 memory card driver, on a predetermined event.

1 28. An information dispatching system as defined

2 in claim 2, wherein said each terminal office further
3 includes a memory card driver, means for managing a history
4 of the records of the document information in said portable
5 storage medium set in said record means, and means for
6 writing the managed history into a memory card set in said
7 memory card driver, on a predetermined event.

1 29. An information dispatching system as defined
2 in claim 3, wherein said each terminal office further
3 includes a memory card driver, means for managing a history
4 of the records of the document information in said portable
5 storage medium set in said record means, and means for
6 writing the managed history into a memory card set in said
7 memory card driver, on a predetermined event.

1 30. An information dispatching system comprising an
2 information offering office which includes edit means for
3 editing digitized document information, and broadcast means
4 for broadcasting the edited document information through a
5 radio channel, and a plurality of terminal offices each of
6 which includes reception means for receiving the
7 broadcasted document information; wherein:

8 said each terminal office includes a memory card
9 driver, record means for recording the received document
10 information, reconstruction means for reconstructing an
11 image of a document expressed by the recorded document

12 information, display means for displaying the reconstructed
13 image of the document, means for managing a history of
14 either of the document information recorded by said record
15 means or the document images reconstructed by said
16 reconstruction means, and means for writing the managed
17 history into a memory card set in said memory card driver,
18 on a predetermined event.

1 31. An information dispatching system as defined in
2 claim 27, further comprising portable charging terminals
3 each of which includes a second memory card driver, means
4 for calculating a fee for subscription of the document
5 information by said terminal office which has written the
6 history into said memory card set in said second memory
7 card driver, in accordance with the written history in said
8 memory card, and an output device for indicating the
9 calculated fee through either of displaying or printing
10 operations.

1 32. An information dispatching system as defined in
2 claim 28, further comprising portable charging terminals
3 each of which includes a second memory card driver, means
4 for calculating a fee for subscription of the document
5 information by said terminal office which has written the
6 history into said memory card set in said second memory
7 card driver, and an output device for indicating the

8 calculated fee through either of displaying or printing
9 operations.

1 33. An information dispatching system as defined in
2 claim 29, further comprising portable charging terminals
3 each of which includes a second memory card driver, means
4 for calculating a fee for subscription of the document
5 information by said terminal office which has written the
6 history into said memory card set in said second memory
7 card driver, and an output device for indicating the
8 calculated fee through either of displaying or printing
9 operations.

1 34. An information dispatching system as defined in
2 claim 30, further comprising portable charging terminals
3 each of which includes means for calculating a fee for use
4 of the document information by said terminal office as to
5 which the history has been written into said memory card
6 set in said memory card driver, in accordance with the
7 written history in said memory card, and an output device
8 for indicating the calculated fee through either of
9 displaying or printing operations.

35. An information dispatching system substantially as
herein described with reference to and as illustrated in Figs. 1 to
11, 13 and 14 or Fig. 12, 13 and 14 of the accompanying drawings.



68

Application No: GB 9503103.5
Claims searched: 1-16

Examiner: Keith Williams
Date of search: 27 March 1995

Patents Act 1977
Search Report under Section 17

Databases searched:

UK Patent Office collections, including GB, EP, WO & US patent specifications, in:
UK CI (Ed.N): H4P(PPEB,PPG,PPS); H4R(RCSS,RCST,RCT)
Int CI (Ed.6): H04H 1/00; H04L 12/18; H04N 7/167,7/173
Other: online WPI

Documents considered to be relevant:

Category	Identity of document and relevant passage	Relevant to claims
X,P	EP0621718 A1 Sony Corp. 26 October 1994 - see whole specification	1-16
X	EP0537756 A2 Fujitsu Ltd. - see Fig. 2 & column 4, lines 9-47	1 at least
X	WO93/15466 A1 Raychem Corp. - see Figs. 1,2 & page 18	1 at least
A	US4868866 McGraw-Hill Inc. - see abstract	1 at least

X	Document indicating lack of novelty or inventive step	A	Document indicating technological background and/or state of the art.
Y	Document indicating lack of inventive step if combined with one or more other documents of same category.	P	Document published on or after the declared priority date but before the filing date of this invention.
&	Member of the same patent family	E	Patent document published on or after, but with priority date earlier than, the filing date of this application.